

Parts Catalog

Model:

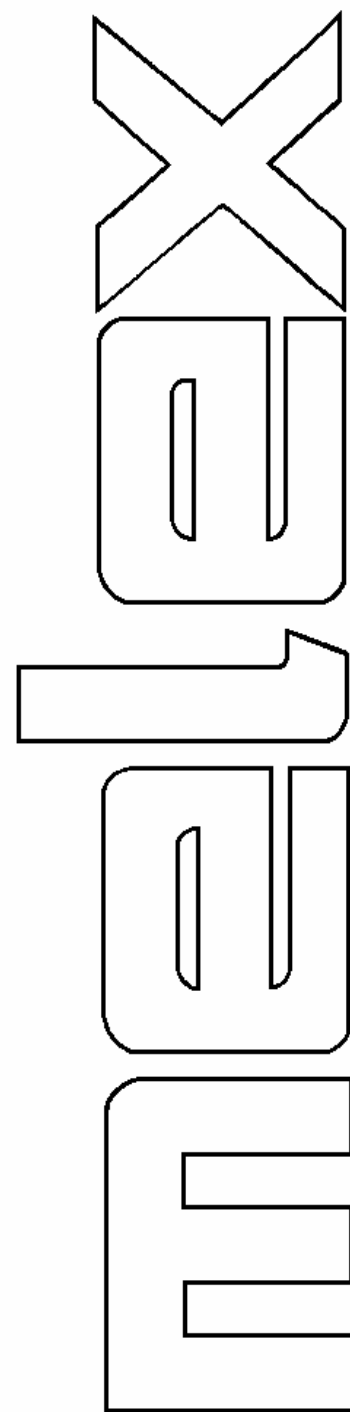
2xx

36V

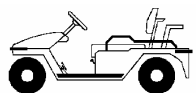
48V

36V Sep Ex

48V Sep Ex



*Electric
Vehicles*



melex

Copyright © 2007
2xx-2007-05

INTRODUCTION TO CATALOGUE

„Current” catalogue is the list of spare parts together with prospect drawings of parts, assemblies and fasteners, which are the part of vehicle with electric drive 2xx,

In order to find the required part you should:

- 1. Find page 1B with heading corresponding to the model of vehicle.*
- 2. On page 1B find the assembly required (taking serial number into consideration) and read number of page, where the assembly is drawn.*
- 3. On the drawing of chosen page find the object required, on the description of page find catalogue number assigned to it or on which page the sub - assembly where the object is included in is drawn and repeat the operation.*
- explanation + description on page 1C.

Ordering parts you should give:

catalogue number of the part, quantity, model of vehicle, year of production, date of issue (or modification of file) and definition of kind of catalogue (current or up-to-date), number of page from which the catalogue number was read (or number of file in digital registration).

e.g. 310330 BRAKE SHOE CPL. catalogue 2002.03 (627egb01) 9A (09A62EA)

The order should be sent to distributor where the vehicle was bought or directly to manufacturer.

Have a nice and non-failure exploitation of our product

MELEX A&D Tyszkiewicz Sp.J.

03-168 Warszawa, ul. Sąsiedzka 11

Oddział:

39-300 Mielec, ul. Wojska Polskiego 3, tel. + 48 17 773 81 00, fax + 48 17 773 81 01

NIP: 524-25-08-288

e-mail: board@melex.com.pl, handel@melex.com.pl

<http://www.melex.com.pl>

CONTENTS PARTS CATALOGUE model 2xx

No.	DESIGN GROUP	2xx 36V	2xx 48V	2xx 36VS	2xx 48VS
00	COVER				
1A	INTRODUCTION TO CATALOGUE				
1B	CONTENTS				
1C	EXPLOITATION TO PAGES				
6A	FRONT SUSPENSION	x	x	x	x
6B	FRONT SUSPENSION	x	x	x	x
8A	KNUCKLE ASSY	x	x	x	x
8B	KNUCKLE ASSY	x	x	x	x
10A	REAR SUSPENSION	x	x	x	x
11A	REAR END CPL.	x	x	x	x
11B	REAR END CPL. /AMD/			x	x
12A	TRANSAXLE	x	x	x	x
12B	TRANSAXLE	x	x	x	x
13A	HYDRAULIC TRANSMISSION GEAR	x	x	x	x
13B	HYDRAULIC TRANSMISSION GEAR	x	x	x	x
14A	ELECTRIC MOTOR 2,1 kW 36V	x			
14B	ELECTRIC MOTOR 2,1 kW 48V		x		
14C	ELECTRIC MOTOR 2,1 kW 36V SEP EX			x	
14D	ELECTRIC MOTOR 2,8 kW 48V SEP EX				x
14E	ELECTRIC MOTOR 3,9 kW SEP EX				x
14F	ELECTRIC MOTOR 2,1 kW 36V SEP EX AMD			x	
14G	ELECTRIC MOTOR 2,8 kW 48V SEP EX AMD				x
15A	HYDRAULIC BRAKE	x	x	x	x
16A	BRAKE ACTUATING ASSY	x	x	x	x
17A	HAND BRAKE	x	x	x	x
18A	STEERING SYSTEM	x	x	x	x
18C	STEERING SYSTEM	x	x	x	x
19A	STEERING COLUMN	x	x	x	x
22A	BENCH SEAT	x	x	x	x
23A	BODY ELEMENT - FRONT	x	x	x	x
24A	BODY ELEMENT - REAR	x	x	x	x
25B	BODY ATTACHMENTS - FRONT	x	x	x	x
26A	FRONT DASH PANEL	x	x	x	x
30A	BODY ATTACHMENTS - REAR	x	x	x	x
32A	BATTERY FIXATION 36V	x		x	
32B	BATTERY FIXATION 48V		x		x
33A	ELECTRIC DRIVE INSTALL.- 36V	x			
33B	ELECTRIC DRIVE INSTALL.- 48V		x		
33C	ELECTRIC DRIVE INSTALL.- SEP EX 36V			x	
33D	ELECTRIC DRIVE INSTALL.- SEP EX 48V				x
33E	ELECTRIC DRIVE INSTALL.- 36V	x			
34A	SPEED ADJUSTMENT ASSY 36V	x			
34B	SPEED ADJUSTMENT ASSY 48V		x		
34C	SPEED ADJUSTMENT ASSY SEP EX 36V			x	
34D	SPEED ADJUSTMENT ASSY SEP EX 48V				x
34E	SPEED ADJUSTMENT ASSY 36V	x			
36A	F - R SWITCH ASSY	x			
43A	HEAD LIGHTS AND HORN	x	x	x	x
44B	TAIL LIGHTS - CARGO	x	x	x	x
45A	ELECTRIC BOARD AND CONVERTER	x	x	x	x
45B	ELECTRIC BOARD AND CONVERTER				
46A	LIGHTING INSTALLATION ASSY	x	x	x	x

EXPLANATION TO PAGES OF CATALOGUE

reference mark with part number

name of assy

spacious drawing of part

bracket with reference mark and the number of assy

number of part or sub-assy

ENGINE CPL

catalogue number

catalogue number according to manufacturer's (co-operator's) catalogue

the list of parts incoming into the assy

serial number or the date from which the part is obligatory

serial number or the date till which the part is obligatory

comments containing more detailed information about parts

marking of reference mark to comments regarding configuration of parts

comments regarding the configuration of parts

model of vehicles in which the elaborated page appears

number of page of

serial number or the date from which elaborated page is obligatory

serial number or the date till which elaborated page is obligatory

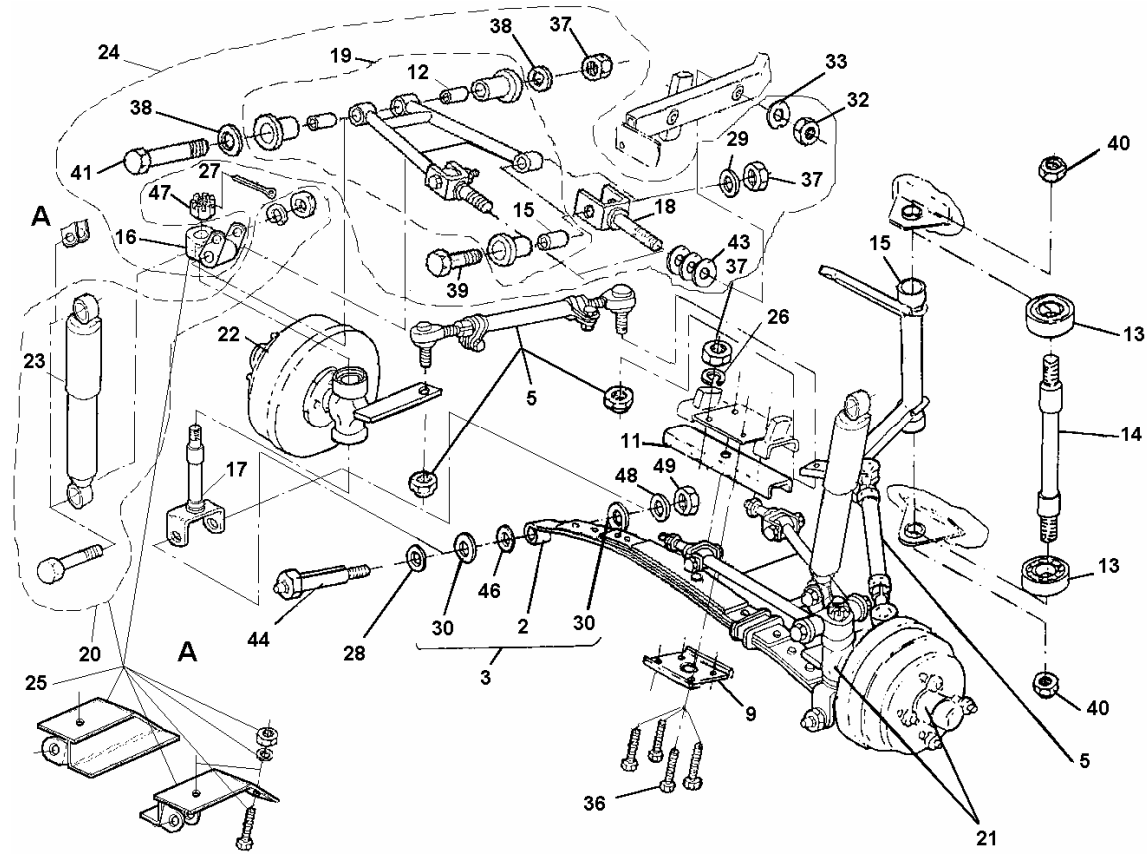
NO	PART	QTY	REMARKS	NO	PART	QTY	REMARKS
1	SEAL - OIL FILL CAP	1	+ 305888	35	HOUSING - BLOWER	1	
2	SCREEN - STATIONARY	1	254747	37	NUT - HEX.	1	
3				38	ARMATURE - MAGNETO	2	
4	ENGINE CPL	1	Model 19420 Type no. 0499	39	BUSHING - SEM	1	
5				40	TYRE STOP	1	
6	CYLINDER ASS'Y W/PISTON	1	710237	41	CLIP - LEAD WIRE	1	
7	SEAL - OIL	1	+ 710500	42	CLAMP	1	
8	SEAL - OIL	1	+ 710215	43	SHACKLE - W/L	1	
9	GASKET - CRANKCASE	1	+ 710214	44	MODULE	1	
10	PISTON - OIL GRAH	2	716600	45	OIL GAUHE	1	
11	BEARING - BALL	2		46	WIRE - STOP	1	
12	BEARING - BALL	2		47	RM - LOCATING	2	
13	COVER - CRANKCASE	1	710211	48	LIGHT INDICATOR	1	
14	SCREW - SEM	9	710212				
15	CONNECTOR - FUEL PIPE	1	23314				
16	WASHER - FLAT	2	+ 710204				
17	PLUG - OIL FILL	1	710207				
18	SEAL - O - RING	1	710208				
19	CAP - OIL FILL	1	800157				
20	SEAL - OIL TUBE	1	710204				
21	TYRE - FILL FILL	1	710381				
22	WASHER - THRUST	1	710212				
23	SCREW - HEX HD	4	710213				
24	SCREW - HEX HD	1	710414				
25	FLYWHEEL	1	710234				
* UNLOADED N GASKET SET 3/4" 20585 (715124)							

Model 512G3

27A

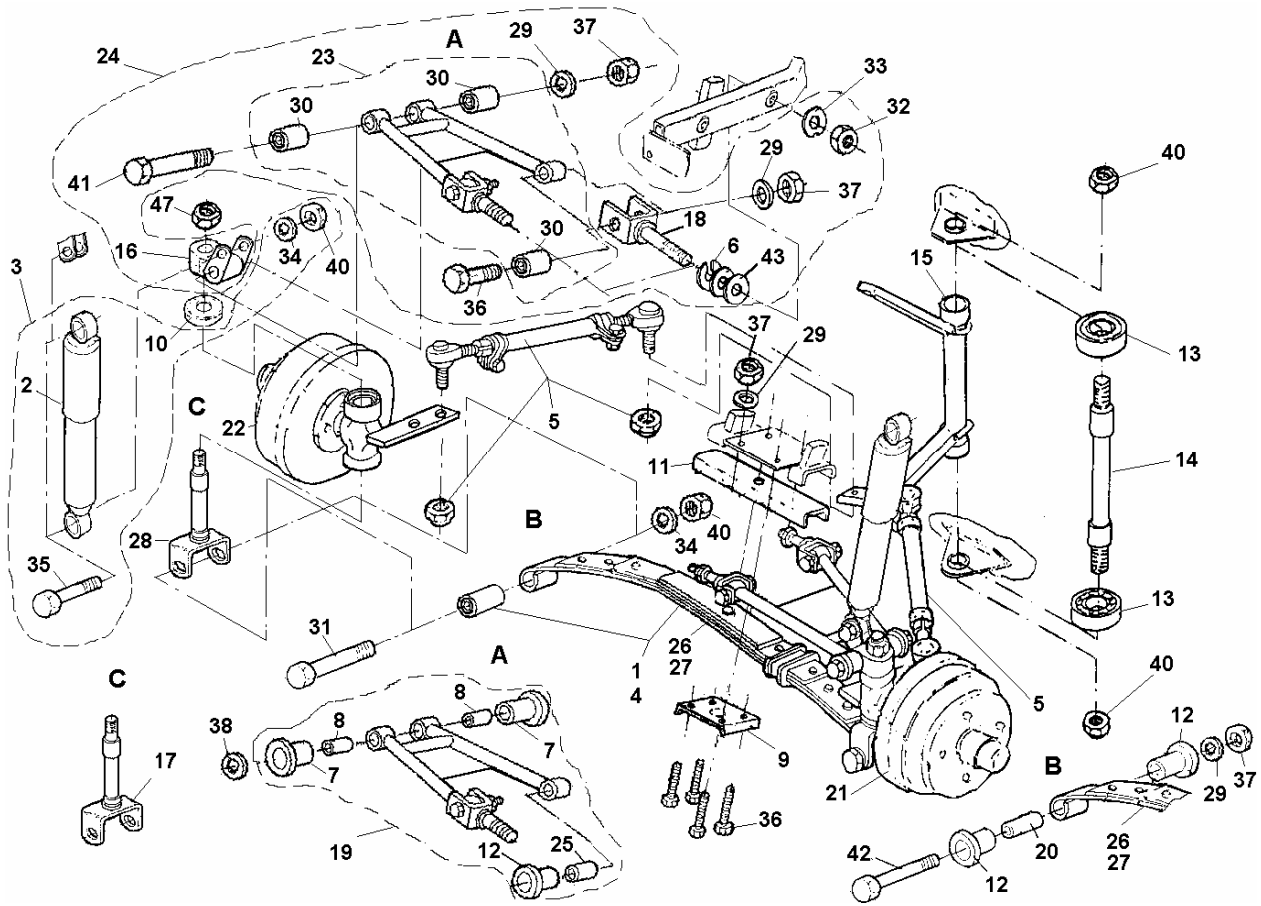
From 2205547 To

FRONT SUSPENSION



NO	PART NO.	DESCRIPTION	REQ	EFFECTIVE from car to car	NO	PART NO.	DESCRIPTION	REQ	EFFECTIVE from car to car
1					26	700123	LOCK WASHER 10,2	4	
2	100157	LEAF SPRING	1		27	700203	COTTER PIN S3,2-25	2	
3	100161	LEAF SPRING CPL. /incl. 2, 30 /	1		28	700212	FLAT WASHER 13	2	
4					29	700247	FLAT WASHER 10,5		
5	300205	TIE ROD ASSY	2		30	700249	FLAT WASHER 21	4	
6	140287	FRONT SUSPENSION	1		31				
7					32	700355	NUT M14 -1,5	8	
8	300228	CONTROL LEVER	1		33	700365	EXTERNAL TAB WASHER 15	8	
9	300229	PLATE	1		34				
10					35				
11	300398	CHANNEL BAR	1		36	710128	BOLT M10-50	4	
12	310202	BUSHING	4		37	710127	NUT M10	10	
13	300406	BEARING 6202-2RS	2		38	710138	FLAT WASHER 10,5	4	
14	300480	AXLE	1		39	710161	BOLT M10-50	4	
15	310213	BUSHING	4		40	710203	LOCK NUT M12	2	
16	310212	CONTROL ARM ASSY	1		41	710204	BOLT M10-115	2	
17	310207	KING PIN	1		42				
18	310284	EYE COMPLETE	4		43				
19	310285	„A” FRAME WITH BUSHING /incl. 12, 15 /	2	`98,07	44	800125	BOLT	2	
20	627236	SHOCK ABSORBER ASSY /incl. 23 /	1	`03-03	45				
21	310324	SPINDLE LEFT ASSY /PAGE NO. 8C /	1	`00.03	46	800849	FLAT WASHER	A/R	
22	310325	SPINDLE RIGHT ASSY /PAGE NO. 8C /	1	`00.03	47	800871	NUT	2	
23	627234	SHOCK ABSORBER	2	`03-03	48	800875	FLAT WASHER	2	
24	310297	„A” FRAME CPL. /incl. 16, 18, 19, 29, 32, 33, 37, 38, 39, 41 /	2	`98,07	49	800878	NUT	2	
25	100364	SHOCK ABSORBER REPAIR ASSY /incl. 20, /	cpl.	`03-03	50				

FRONT SUSPENSION



NO	PART NO.	DESCRIPTION	REQ	EFFECTIVE		NO	PART NO.	DESCRIPTION	REQ	EFFECTIVE	
				from car	to car					from car	to car
1	627607	LEAF SPRING CPL. - FOUR / incl. 12, 20, 26/	1	198381	12-'06	26	100130	LEAF SPRING - FOUR	1	198380	12-'06
2	627234	SHOCK ABSORBER	2			27	140112	LEAF SPRING - FIVE	1	198380	12-'06
3	627236	SHOCK ABSORBER ASSY / incl. 2, 34, 35, 40 /	1			28	627606	KING PIN	2	198381	12-'06
4	627608	LEAF SPRING CPL. - FIVE / incl. 12, 20, 27/	1	198381	12-'06	29	700247	FLAT WASHER 10,5	10		
5	310205	TIE ROD ASSY	2	198380	12-'06	30	627605	METAL-RUBBER SPRING BUSHING G34	8	198381	12-'06
6	627515	WASHER	4			31	700452	BOLT M12-80	2	198381	12-'06
7	300341	RUBBER GROMMET	4	198380	12-'06	32	700355	NUT M14-1,5	4		
8	310202	BUSHING	4	198380	12-'06	33	700365	EXTERNAL TAB WASHER 15	4		
9	300229	LEAF SPRING JOINT DOWN	1			34	710105	FLAT WASHER 13	6		
10	310336	COVER	2			35	627903	BOLT M12-55	4		
11	300398	CHANNEL BAR	1			36	710160	BOLT M10-55	8		
12	310125	RUBBER GROMMET	8	198380	12-'06	37	730141	NUT M10	10		
13	300406	BEARING 6202-2RS	2	198380	12-'06	38	710138	FLAT WASHER 10,5	4	198380	12-'06
14	310132	AXLE	1	198380	12-'06	39					
15	310135	CONTROL LEVER	1	198380	12-'06	40	710203	LOCK NUT M12	6	198380	12-'06
16	627235	CONTROL ARM	2			41	710204	BOLT M10-115	2		
17	310265	KING PIN	2	198380	12-'06	42	710205	BOLT M10-80	2	198380	12-'06
18	310284	EYE COMPLETE	4			43	710238	FLAT WASHER 15	AR		
19	310285	„A“ FRAME WITH BUSHING	2	198380	12-'06	44			4		
20	310267	BUSHING	2	198380	12-'06	45					
21		LEFT KNUCKLE ASSY / PAGE NO. 8B /	1			46					
22		RIGHT KNUCKLE ASSY / PAGE NO. 8B /	1			47	627902	NUT M12x1,25	2		
23	627604	A" FRAME WITH BUSHING	1	198381	12-'06	48					
24	627613	„A“ FRAME CPL. / incl. 6, 16, 18, 23, 29, 32, 33, 36, 37, 41, 43/	2	198381	12-'06	49					
25	310213	BUSHING	4	198380	12-'06	50					

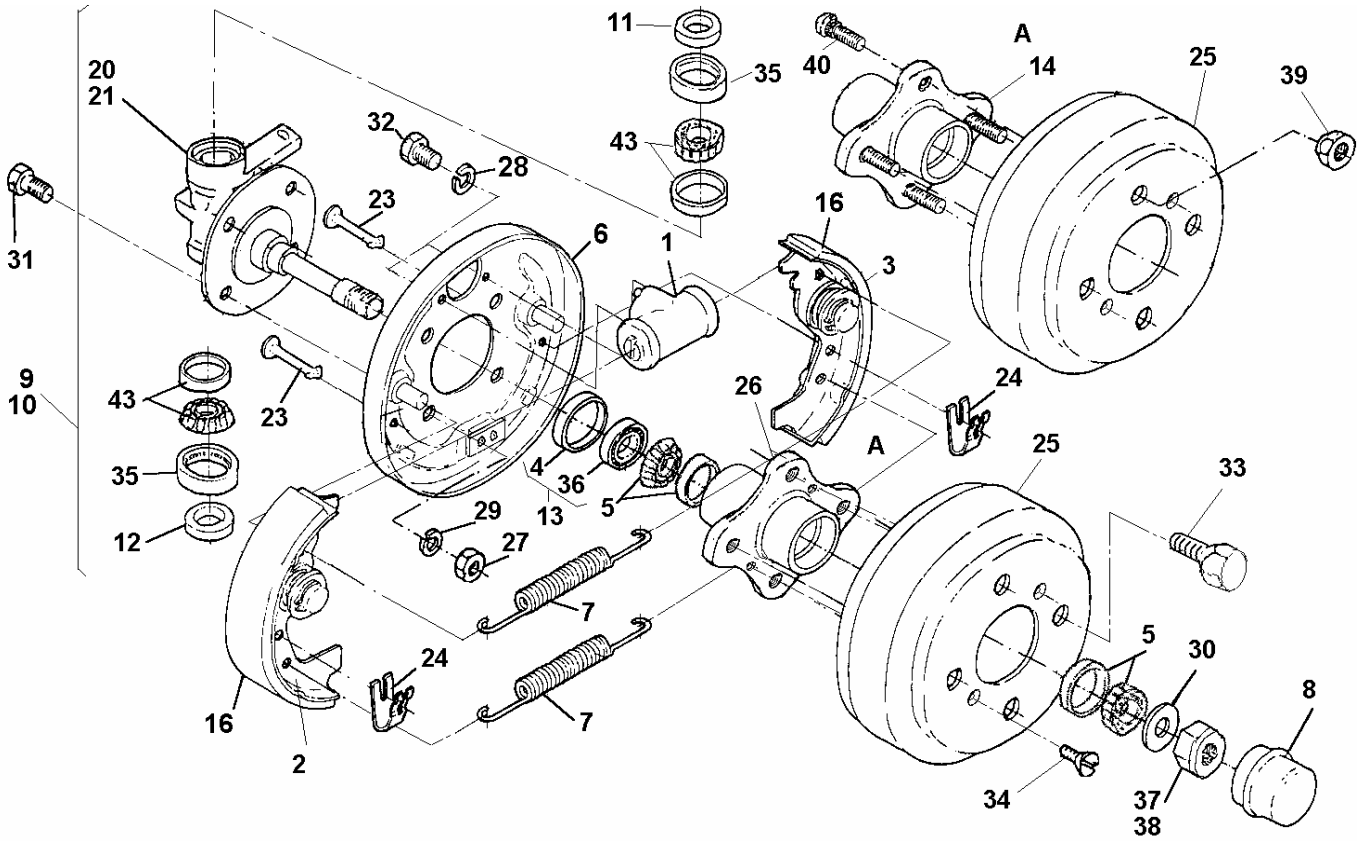
Model: 2xx

6B

From:
12-2006

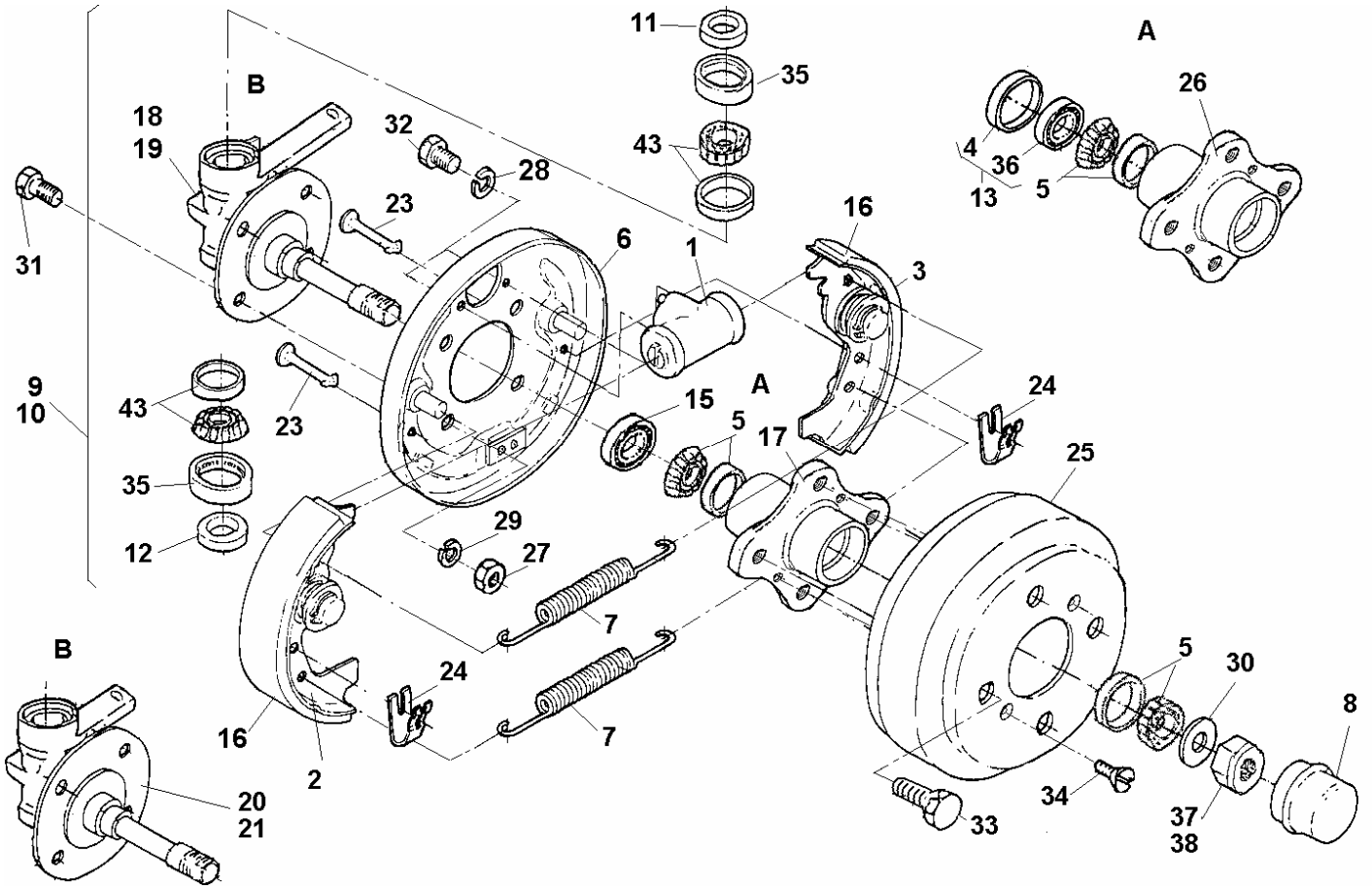
To:

KNUCKLE ASSY



NO	PART NO.	DESCRIPTION	REQ	EFFECTIVE from car to car	NO	PART NO.	DESCRIPTION	REQ	EFFECTIVE from car to car
1	340156	BRAKE CYLINDER	1		26	560145	FRONT HUB		
2	310312	BRAKE SHOE - LEFT	1		27	700106	NUT M8	4	09-05
3	310313	BRAKE SHOE - RIGHT	1		28	700115	LOCK WASHER 6,1	2	
4	300336	BUSHING	1		29	700128	LOCK WASHER 8,2	4	
5	810119	BEARING WITH CUP LM1919-LM11910	2		30	700249	FLAT WASHER 21	1	
6	300408	BRAKE DISK COMPLETE	1		31	700310	BOLT M8-16	4	
7	300419	SPRING	2		32	700359	BOLT M6-10	2	
8	300758	CAP	1		33	627495	BOLT M12X1,25 - 38	4	09-05
9	310908	LEFT KNUCKLE WITH BEARING /incl. 11, 12, 20, 35, 37, 43 /	Cpl.		34	627913	SCREW M6-25	2	09-05
10	310909	RIGHT KNUCKLE WITH BEARING /incl. 11, 12, 21, 35, 37, 43 /	Cpl.		35	710162	GREASE SEAL A25-37-7	2	
11	310210	BUSHING	1		36	710163	GREASE SEAL A24-40-7	1	
12	310211	BUSHING	1		37	710233	NUT - RIGHT M18-1,5	1	
13	300334	OIL SEAL /incl. 4, 36/	1		38	710234	NUT - LEFT M18-1,5	1	
14	310282	FRONT HUB /incl.40/	1	09-05	39	800850	NUT	4	09-05
15					40	800851	BOLT	4	09-05
16	310331	BRAKE SHOE CPL. /incl. 2-2 pcs, 3-2pcs/	Cpl.		41				
17					42				
18					43	810113	BEARING WITH CUP CBK 170	2	
19					44				
20	310289	LEFT SPINDLE	1		45				
21	310290	RIGHT SPINDLE	1		46				
22	300766	FRONT HUB WITH BEARINGS /incl. 5-2 pcs., 13, 26, 30 /	Cpl		47				
23	320191	PIN	2		48				
24	320192	SPRING	2		49				
25	560134	BRAKE DRUM	1	09-05	50				

KNUCKLE ASSY



NO	PART NO.	DESCRIPTION	REQ	EFFECTIVE from car to car	NO	PART NO.	DESCRIPTION	REQ	EFFECTIVE from car to car
1	340156	BRAKE CYLINDER	1		26	560145	FRONT HUB		198380
2	310312	BRAKE SHOE - LEFT	1					4	09-05 12-06
3	310313	BRAKE SHOE - RIGHT	1		27	700106	NUT M8	4	
4	300336	BUSHING	1	198380 12-06	28	700115	LOCK WASHER 6,1	2	
5	810119	BEARING WITH CUP LM1919-LM11910	2		29	700128	LOCK WASHER 8,2	4	
6	300408	BRAKE DISK COMPLETE	1		30	700249	FLAT WASHER 21	1	
7	300419	SPRING	2		31	700310	BOLT M8-16	4	
8	300758	CAP	1		32	700359	BOLT M6-10	2	
9	627600	LEFT KNUCKLE WITH BEARING /incl. 11, 12, 20, 35, 37, 43 /	Cpl.	198381 12-06	33	627495	BOLT M12X1,25 - 38	4	09-05
10	627601	RIGHT KNUCKLE WITH BEARING /incl. 11, 12, 21, 35, 37, 43 /	Cpl.	198381 12-06	34	627913	SCREW M6-25	2	09-05
11	310210	BUSHING	1		35	710162	GREASE SEAL A25-37-7	2	
12	310211	BUSHING	1		36	710163	GREASE SEAL A24-40-7	1	198380 12-06
13	300334	OIL SEAL /incl. 4, 36/	1	198380 12-06	37	710233	NUT - RIGHT M18-1,5	1	
14					38	710234	NUT - LEFT M18-1,5	1	
15	627916	GREASE SEAL A25-47-7	1	198381 12-06	39				
16	310331	BRAKE SHOE CPL. /incl. 2-2 pcs, 3-2pcs/	Cpl.		40				
17	970201	FRONT HUB		198381 12-06	41				
18	627602	LEFT SPINDLE		198381 12-06	42				
19	627603	RIGHT SPINDLE		198381 12-06	43	810113	BEARING WITH CUP CBK 170	2	
20	310289	LEFT SPINDLE	1	198380 12-06	44				
21	310290	RIGHT SPINDLE	1	198380 12-06	45				
22	300766	FRONT HUB WITH BEARINGS /incl. 5-2 pcs., 13, 26, 30 /	Cpl.		46				
23	320191	PIN	2		47				
24	320192	SPRING	2		48				
25	560134	BRAKE DRUM	1	09-05	49				
					50				

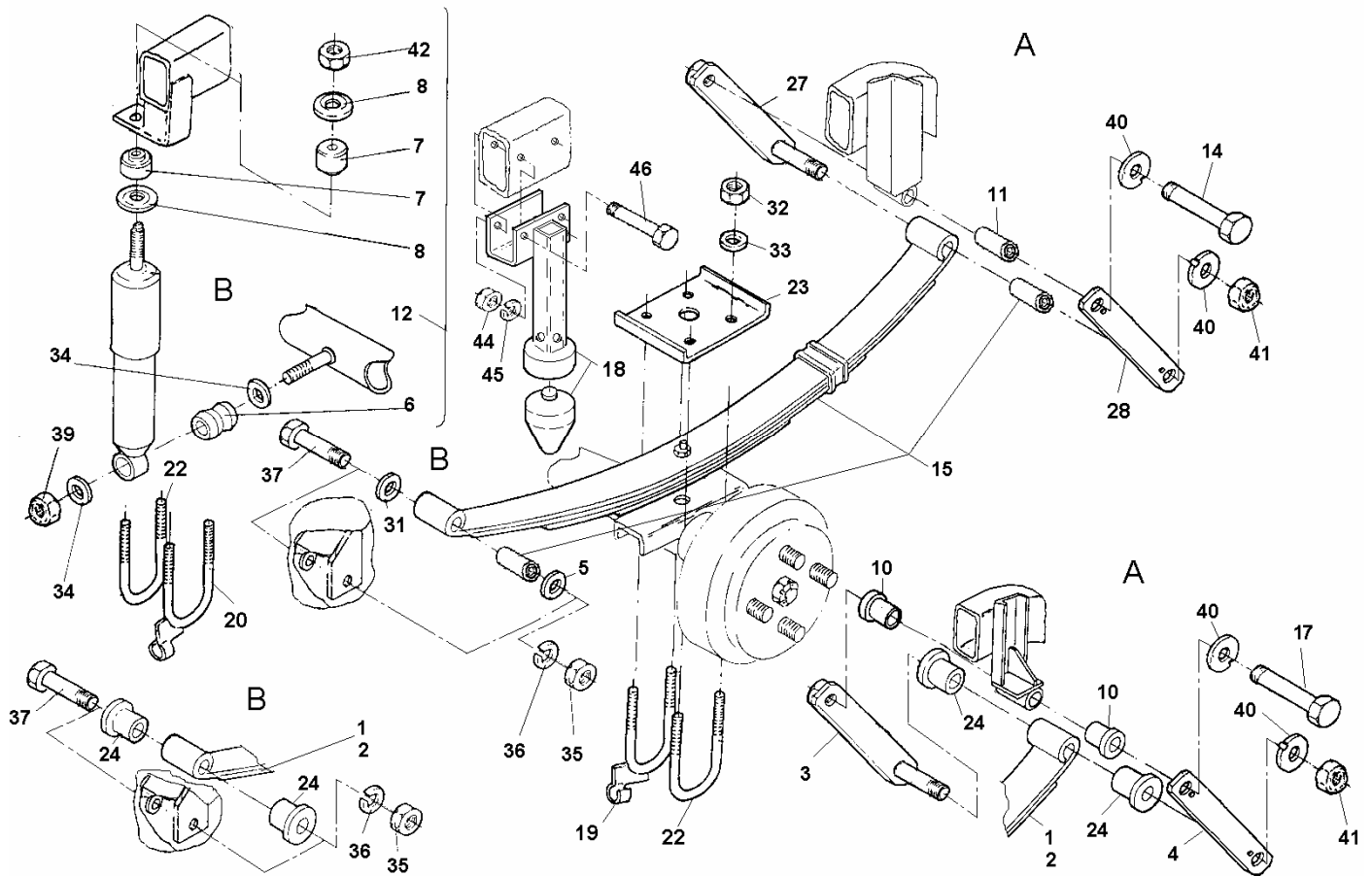
Model: 2xx

8B

From: 12-2006

To:

REAR SUSPENSION



NO	PART NO.	DESCRIPTION	REQ	EFFECTIVE from car to car	NO	PART NO.	DESCRIPTION	REQ	EFFECTIVE from car to car
1	100130	LEAF SPRING - FOUR	1	198380 '06-12	26				
2	140112	LEAF SPRING - FIVE	1	198380 '06-12	27	250106	SHACKLE ASSY	1	198381 '06-12
3	300206	SHACKLE ASSY	1	198380 '06-12	28	310128	SHACKLE	1	198381 '06-12
4	300207	SHACKLE	1	198380 '06-12	29				
5	627617	WASHER	1		30				
6	300323	RUBBER BUSHING	1		31	710105	WASHER 13	1	
7	300324	BUTTON SHOCK BUSHING	2		32	710127	NUT M10	2	
8	300325	RECESS WASHER	2		33	700247	WASHER 10,5	4	
9					34	700125	FLAT WASHER 17	2	
10	300341	RUBBER SPRING BUSHING	2	198381 '06-12	35	700199	NUT 12	1	
11	627618	METAL-RUBBER SPRING BUSHING G18	1		36	700140	LOCK WASHER 12,2	1	
12	300743	SHOCK ABSORBER ASSY /incl. 6, 7, 8, 42/	1		37	700452	BOLT M12-80	1	
13					38				
14	250107	BOLT	1	198381 '06-12	39	627917	LOCK NUT M16-1,25	1	
15	627608	LEAF SPRING CPL. - FIVE		198381 '06-12	40	710107	EXTERNAL TAB WASHER 13	2	
16					41	710203	LOCK NUT M12	1	
17	300343	BOLT	1	198380 '06-12	42	710235	NUT M10-1,25	1	
18	250108	FENDER SUPPORT	1		43				
19	140116	„U“ BOLT - LEFT	1		44	700108	NUT M6	2	
20	140117	„U“ BOLT - RIGHT	1		45	700115	LOCK WASHER 6,1	2	
21					46	627901	BOLT M6-40	2	
22	310101	„U“ BOLT	2		47				
23	310103	MOUNTING PLATE	1		48				
24	310125	RUBBER GROMMET	4	198381 '06-12	49				
25					50				

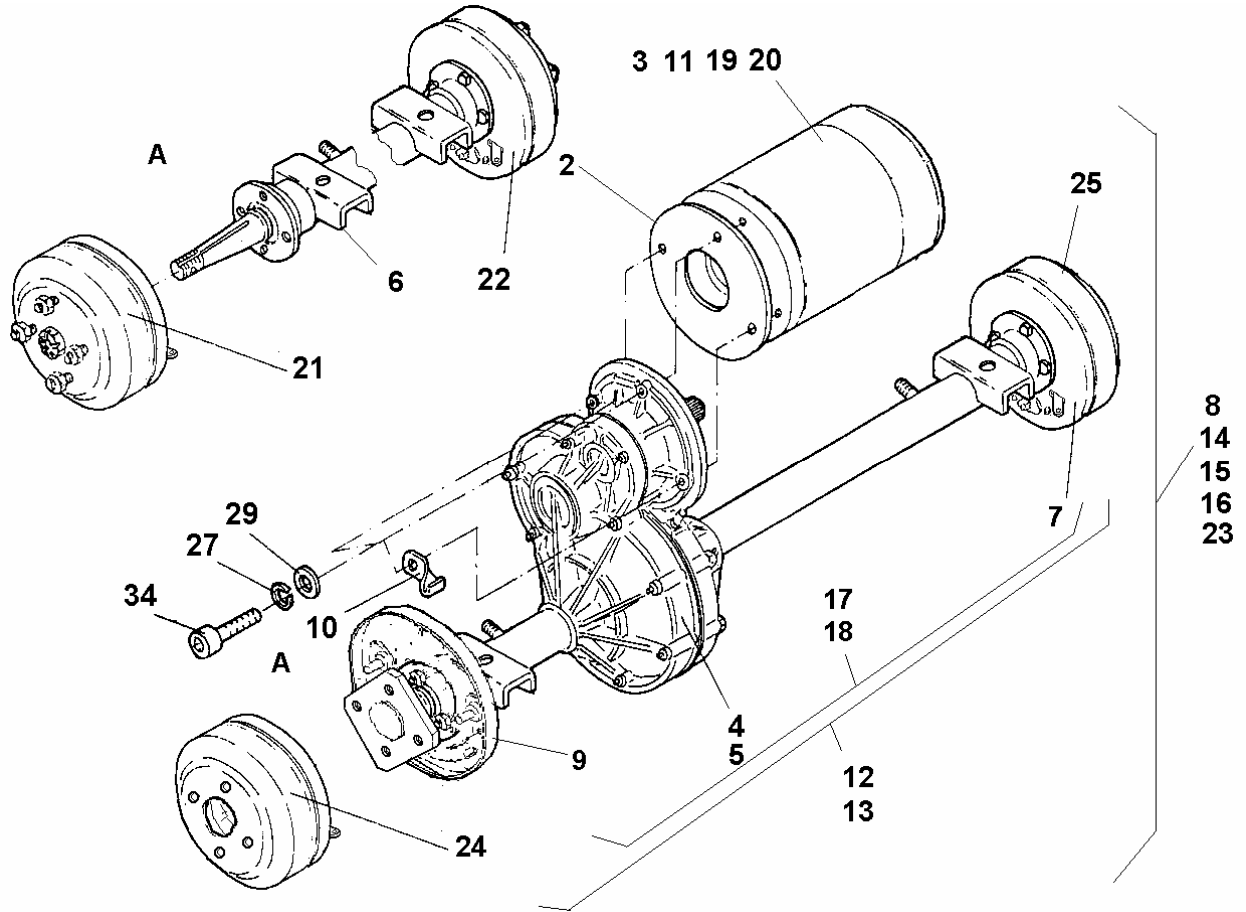
Model: 2xx

10A

From:

To:

REAR END CPL.



NO	PART NO.	DESCRIPTION	REQ	EFFECTIVE from car to car	NO	PART NO.	DESCRIPTION	REQ	EFFECTIVE from car to car
1					26				
2	310214	GASKET	1		27	700123	LOCK WASHER 10,2	3	
3	510168	ELECTRIC MOTOR 36V ET 2.1/3.6/32 /PAGE NO. 14A/	1		28				
4		HELICAL TRANSMISSION 13:1 /PAGE NO. 12B /	1	09-05	29	700175	FLAT WASHER 10,5	3	
5		HELICAL TRANSMISSION 10:1 /PAGE NO. 12B /	1	09-05	30				
6		HELICAL TRANSMISSION /PAGE NO. 12A /	1	09-05	31				
7	560136	BRAKE DISC - RIGHT	1		32				
8	627536	DRIVE KIT 36V 2,1 kW SEPEX 13:1 /incl. 2, 10, 12, 19, 27, 29, 34/	Cpl.	09-05	33				
9	560135	BRAKE DISC - LEFT	1		34	710209	BOLT M10-40	3	
10	540306	BRACKET	1		35				
11	540370	ELECTRIC MOTOR 48V ET 2.1/4.8/32 /PAGE NO. 14B/	1		36				
12	560160	REAR END CPL. W/O MOTOR /incl. 4, 10, 24, 25 /	1	09-05	37				
13	860136	REAR END CPL. W/O MOTOR /incl. 5, 10, 24, 25 /	1	09-05	38				
14	627535	DRIVE KIT 48V 2,8 kW SEPEX 13:1 /incl. 2, 10, 12, 20, 27, 29, 34/	Cpl.	09-05	39				
15	860125	DRIVE KIT 48V 2,8 kW SEPEX 10:1 /incl. 2, 10, 13, 20, 27, 29, 34/	Cpl.	09-05	40				
16	560169	DRIVE KIT 36V 2,1 kW 13:1 /incl. 2, 3, 10, 12, 27, 29, 34/	1		41				
17	560130	REAR END CPL. W/O BRAKE 13:1 /incl. 4, 7, 9, 10/	1	09-05	42				
18	860119	REAR END CPL. W/O BRAKE 10:1 /incl. 5, 7, 9, 10/	1	09-05	43				
19	510372	ELECTRIC MOTOR 36V SEPEX ETH 2.1/3.6/32-01 /PAGE NO. 14C/	1		44				
20	540391	ELECTRIC MOTOR 48V SEPEX ETH 2.8/4.8/34-01 /PAGE NO. 14D/	1		45				
21		HYDRAULIC BRAKE DRUM AND DISC - LEFT /PAGE NO. 13A/	1	09-05	46				
22		HYDRAULIC BRAKE DRUM AND DISC - RIGHT /PAGE NO. 13A/	1	09-05	47				
23	560170	DRIVE KIT 48V 2,1 kW 13:1 /incl. 2, 10, 11, 12, 27, 29, 34/	1		48				
24		HYDRAULIC BRAKE DRUM AND DISC - LEFT /PAGE NO. 13B/	1	09-05	49				
25		HYDRAULIC BRAKE DRUM AND DISC - RIGHT /PAGE NO. 13B/	1	09-05	50				

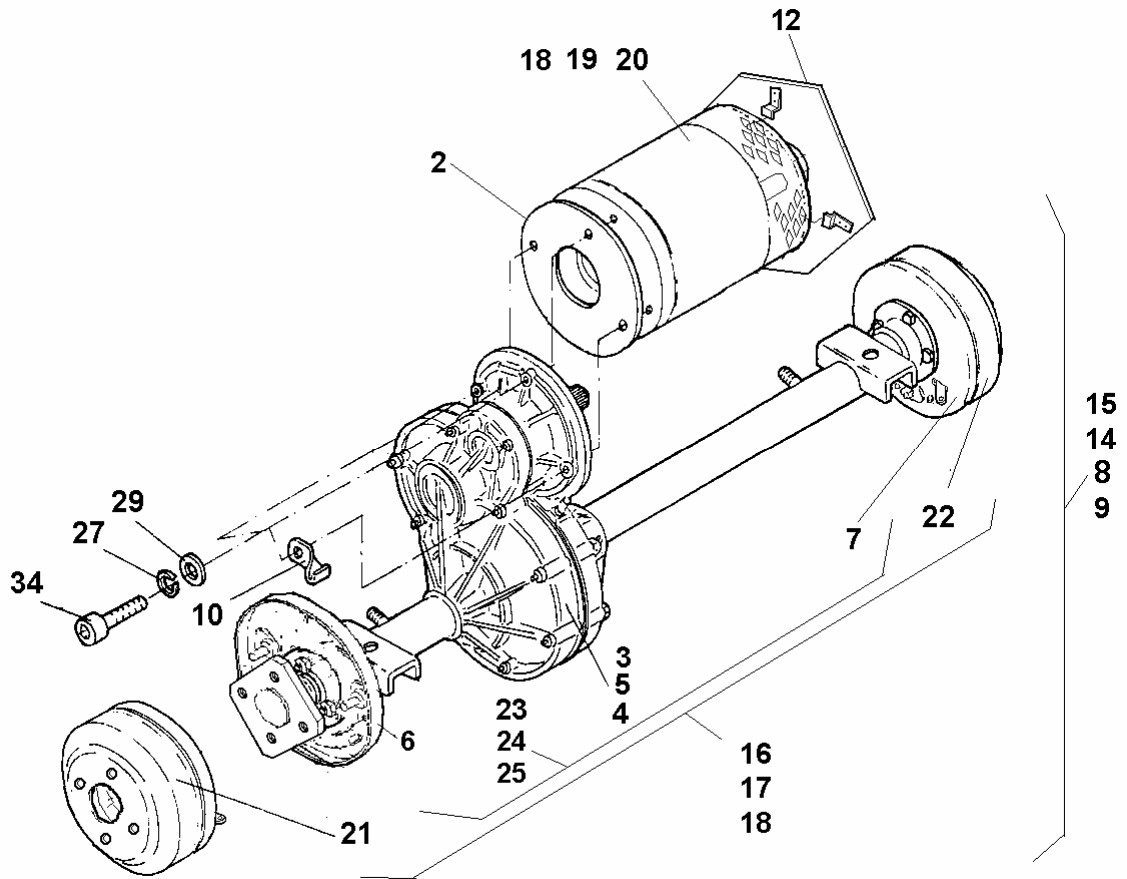
Model: 2xx

11A

From:

To:

REAR END CPL.



NO	PART NO.	DESCRIPTION	REQ	EFFECTIVE from car to car	NO	PART NO.	DESCRIPTION	RE	EFFECTIVE from car to car
1					26				
2	310214	GASKET	1		27	700123	LOCK WASHER 10,2	3	
3					28				
4		HELICAL TRANSMISSION 13:1 /PAGE NO. 12B /	1	09-05	29	700175	FLAT WASHER 10,5	3	
5		HELICAL TRANSMISSION 10:1 /PAGE NO. 12B /	1	09-05	30				
6	560135	BRAKE DISC - LEFT	1		31				
7	560136	BRAKE DISC - RIGHT	1		32				
8	560149	DRIVE KIT 48V 3,9 kW 13:1 /incl. 2, 16, 20, 27, 29, 34/	Cpl.	09-05	33				
9	560172	DRIVE KIT 36V 2,1 kW 13:1 /incl. 2, 16, 18, 27, 29, 34/	Cpl.	09-06	34	710209	BOLT M10-40	3	
10	540306	BRACKET	1		35				
11					36				
12	560148	MOTOR SHIELD	1	09-05	37				
13					38				
14	860120	DRIVE KIT 48V 3,9 kW 10:1 /incl. 2, 17, 20, 27, 29, 34/	Cpl.	09-05	39				
15	560173	DRIVE KIT 48V 2,8 kW 13:1 /incl. 2, 16, 19, 27, 29, 34/	Cpl.	09-06	40				
16	560160	REAR END CPL. W/O MOTOR 13:1 /incl. 4, 10, 21, 22 /	1	09-05	41				
17	860136	REAR END CPL. W/O MOTOR 10:1 /incl. 5, 10, 21, 22 /	1	09-05	42				
18	627570	ELECTRIC MOTOR 36V DE6-4013	1	09-06	43				
19	627571	ELECTRIC MOTOR 48V DL6-4004	1	09-06	44				
20	627325	ELECTRIC MOTOR 48V DV3-4006A AMD /PAGE NO. 14C/	1	09-05	45				
21		HYDRAULIC BRAKE DRUM AND DISC - LEFT /PAGE NO. 13A/	1	09-05	46				
22		HYDRAULIC BRAKE DRUM AND DISC - RIGHT /PAGE NO. 13A/	1	09-05	47				
23					48				
24	560130	REAR END CPL. W/O BRAKE 13:1 /incl 4, 6, 7, 10/		09-05	49				
25	860119	REAR END CPL. W/O BRAKE 10:1 /incl 5, 6, 7, 10/		09-05	50				

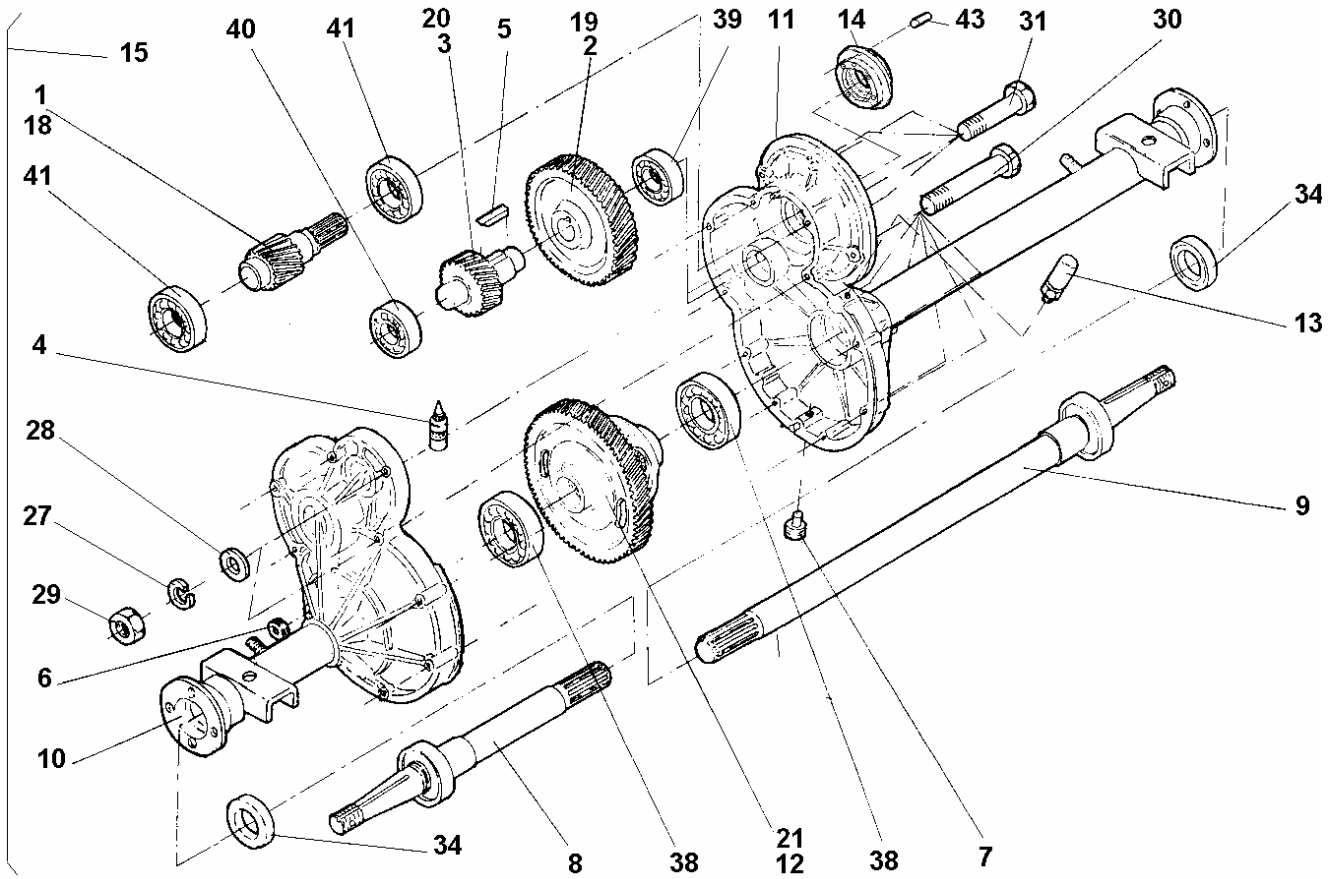
Model: 2xx

11B

From: 09-2005

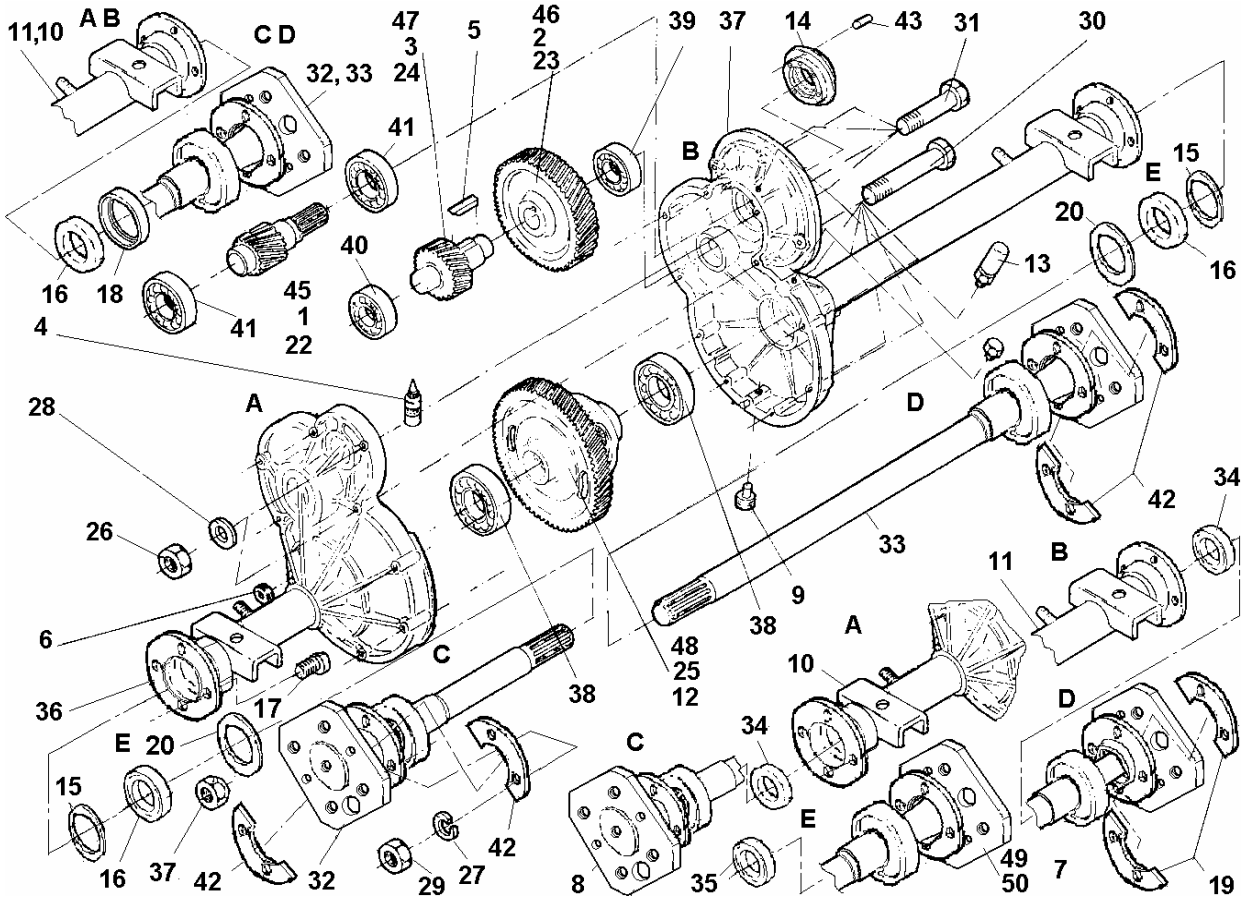
To:

TRANSAXLE



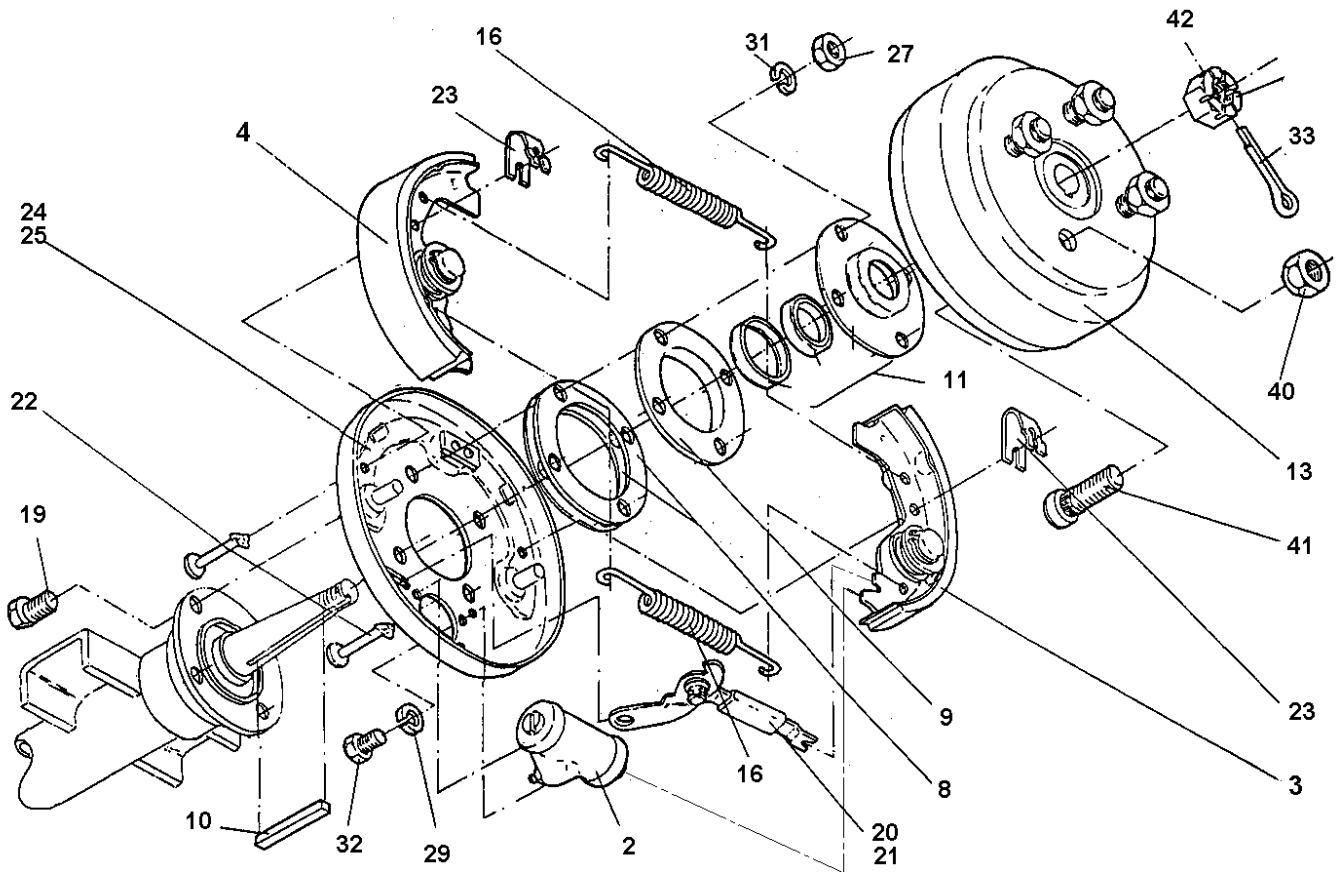
NO	PART NO.	DESCRIPTION	REQ	EFFECTIVE from car	to car	NO	PART NO.	DESCRIPTION	REQ	EFFECTIVE from car	to car
1	310225 627491+627492	GEAR Z1	1	01-'04	05-'05	26					
2	310226 627491+627492	GEAR Z2	1		05-'05	27	700128	LOCK WASHER 8,2	10		
3	310227 627493+627494	GEAR Z3	1		05-'05	28	700266	FLAT WASHER 8,4	10		
4	310314	SEALANT, SILICON	A/R			29	700106	NUT M8	10		
5	310229	KEY	1			30	700435	BOLT M8-110	6		
6	310230	OVER FILL PLUG	1			31	700436	BOLT M8-80	4		
7	310231	OIL DRAIN PLUG	1			32					
8	310232	SHAFT, AXLE L.H.	1			33					
9	310233	SHAFT, AXLE R.H.	1			34	710191	OIL SEAL RING A32-47-7	2		
10	310234	CASE ASSY I	1			35					
11	310235	CASE ASSY II	1			36					
12	310236 627493+627494	DIFF. CASE ASSEMBLY	1		05-'05	37					
13	310237	VENT	1			38	810115	BEARING-BALL 6008 P66	2		
14	627327	BUSHING SEAL CPL.	1	01-'04		39	810116	BEARING-BALL 6204 P6CK	1		
15	310298	TRANSAXLE	cpl.			40	810117	BEARING-BALL 6205 P6CK	1		
16						41	810118	BEARING-BALL 6006 P66	2		
17						42					
18	627491	GEAR Z1 13:1	1	05-'05		43	627329	PIN	1	01-'04	
19	627492	GEAR Z2 13:1	1	05-'05		44					
20	627493	GEAR Z3 13:1	1	05-'05		45					
21	627494	DIFF. CASE ASSEMBLY 13:1	1	05-'05		46					
22						47					
23						48					
24						49					
25						50					

TRANSAXLE



NO	PART NO.	DESCRIPTION	REQ	EFFECTIVE		NO	PART NO.	DESCRIPTION	REQ	EFFECTIVE	
				from car	to car					from car	to car
1	310225 627491+627492	GEAR Z1 13:1	1	01-04	05-05	26	627911	NUT M8-8.8	10		
2	310226 627491+627492	GEAR Z2 13:1	1		05-05	27	700128	LOCK WASHER 8,2	8		
3	310227 627493+627494	GEAR Z3 13:1	1		05-05	28	700266	FLAT WASHER 8,4	10		
4	310314	SEALANT, SILICON	A/R			29	700106	NUT M8	8		
5	310229	KEY	1			30	700435	BOLT M8-110	6		
6	310230	OVER FILL PLUG	1			31	700436	BOLT M8-80	4		
7	560125	OIL DRAIN PLUG	1			32	560156	SHAFT, AXLE L.H.	1		03-06
8	560126	SHAFT, AXLE L.H.	1	09-05	03-06	33	560157	SHAFT, AXLE R.H.	1		03-06
9	310231	SHAFT, AXLE R.H.	1	09-05	03-06	34	560129	OIL SEAL RING A32-47-7	2	09-05	03-06
10	560127	CASE ASSY I	1	09-05	03-06	35	560161	OIL SEAL RING A38-55-10	1	03-06	04-06
11	560128	CASE ASSY II	1	09-05	03-06	36	560158	CASE ASSY I	1		03-06
12	310236 627493+627494	DIFF. CASE ASSEMBLY 13:1	1		05-05	37	560159	CASE ASSY II	1		03-06
13	310237	VENT	1			38	810115	BEARING-BALL 6008 P66	2		
14	627327	BUSHING SEAL CPL.	1	01-04		39	810116	BEARING-BALL 6204 P6CK	1		
15	560164	BUSHING	2	04-06		40	810117	BEARING-BALL 6205 P6CK	1		
16	560165	OIL SEAL RING A42-55-8	2	04-06		41	810118	BEARING-BALL 6006 P66	2		
17	310118	BOLT	8			42	560162	BEARING CAP	2		03-06
18	560168	BUSHING	2	09-05		43	627329	PIN	1		01-04
19	560131	BEARING CAP	2	09-05	03-06	44					
20	560132	RETAINER RING	2	09-05		45	627491	GEAR Z1 13:1	1		05-05
21						46	627492	GEAR Z2 13:1	1		05-05
22	860121	GEAR Z1 10:1	1	09-05		47	627493	GEAR Z3 13:1	1		05-05
23	860122	GEAR Z2 10:1	1	09-05		48	627494	DIFF. CASE ASSEMBLY 13:1	1		05-05
24	860123	GEAR Z3 10:1	1	09-05		49	560166	SHAFT, AXLE L.H.	1		03-06
25	860124	DIFF. CASE ASSEMBLY 10:1	1	09-05		50	560167	SHAFT, AXLE R.H.	1		04-06
				09-05							03-06 04-06

BRAKE DRUM



NO	PART NO.	DESCRIPTION	REQ	EFFECTIVE from car to car	NO	PART NO.	DESCRIPTION	REQ	EFFECTIVE from car to car
1					26				
2	300147	BRAKE CYLINDER	4329200	1	27	700106	NUT M 8	4	
3	300227	BRAKE SHOE- RIGHT	*	1	28				
4	300226	BRAKE SHOE- LEFT	*	1	29	700115	LOCK WASHER 6,1	2	
5					30				
6					31	700128	LOCK WASHER 8,2	4	
7					32	700359	BOLT M6-10	2	
8	300355	SHIM PACKAGE		A/R	33	710208	COTTER PIN S4-28	1	
9	310215	SHIM RETAINER		1	34				
10	300357	HUB KEY		1	35				
11	300359	SEAL		1	36				
12					37				
13	300407	DRUM /incl 41/		1	38				
14					39				
15					40	800850	NUT	4	
16	300419	SPRING		1	41	800851	HUB STUD	4	
17					42	800866	NUT	1	
18					43				
19	310118	BOLT		4	44				
20	340153	BRAKE LEVER CPL. - LEFT		1	45				
21	340154	BRAKE LEVER CPL. - RIGHT		1	46				
22	320191	PIN		2	47				
23	320192	SPRING		2	48				
24	340284	BRAKE DISC - LEFT		1	49				
25	340285	BRAKE DISC - RIGHT		1	50				

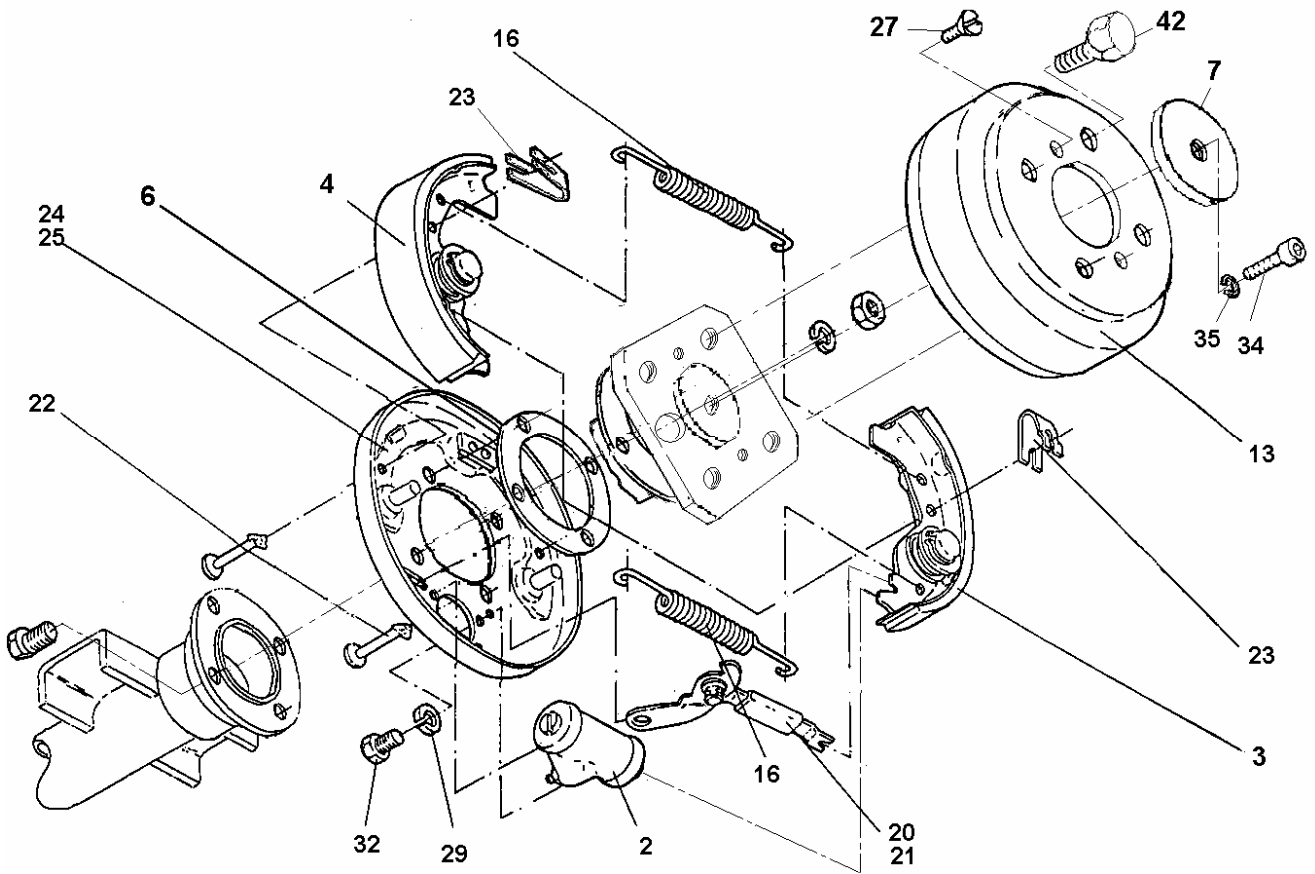
Model: 24x

13A

From:

To:
09-2005

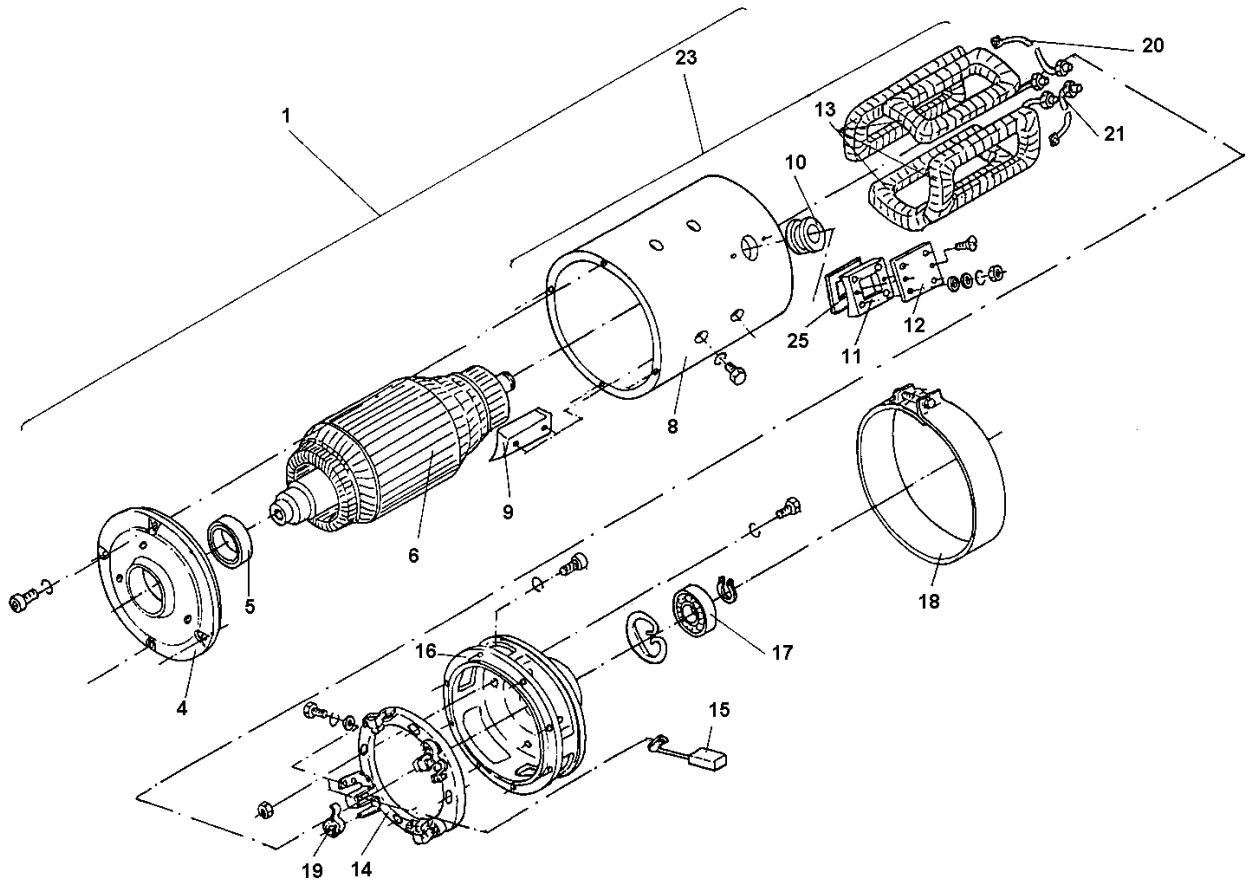
BRAKE DRUM



NO	PART NO.	DESCRIPTION	REQ	EFFECTIVE from car to car	NO	PART NO.	DESCRIPTION	REQ	EFFECTIVE from car to car
1					26				
2	340156	BRAKE CYLINDER	1		27	627913	SCREW M6-25	2	
3	310313	BRAKE SHOE- RIGHT	*	1	28				
4	310312	BRAKE SHOE- LEFT	*	1	29	700115	LOCK WASHER 6,1	2	
5					30				
6	560137	SHIM PACKAGE	1		31				
7	560150	COVER	1		32	700359	BOLT M6-10	2	
8					33				
9					34	627912	BOLT M8-20	1	
10					35	700115	LOCK WASHER 8,2	1	
11					36				
12					37				
13	560134	DRUM	1		38				
14					39				
15					40				
16	300419	SPRING	1		41				
17					42	627495	BOLT M12X1,25-38	4	
18					43				
19					44				
20	340153	BRAKE LEVER CPL. - LEFT	1		45				
21	340154	BRAKE LEVER CPL. - RIGHT	1		46				
22	320191	PIN	2		47				
23	320192	SPRING	2		48				
24	560135	BRAKE DISC - LEFT	1		49				
25	560136	BRAKE DISC - RIGHT	1		50				

* 310331 BRAKE SHOE CPL. /incl. 3 - 2 pcs., 4 - 2 pcs./

ELECTRIC MOTOR



NO	PART NO.	DESCRIPTION	REQ	EFFECTIVE from car to car	NO	PART NO.	DESCRIPTION	REQ	EFFECTIVE from car to car
1	510168	MOTOR CPL. ET36/2.1/32	1		26				
2					27				
3					28				
4	540431	FRONT END BELL	1		29				
5	540432	SEALING	1		30				
6	540447	ROTOR	1		31				
7					32				
8	540448	BODY	1		33				
9	540449	POLE	1		34				
10	540436	BUSH	1		35				
11	540437	BASE	1		36				
12	540438	CLAMPING STRAP	1		37				
13	510348	SERIES CON COIL ASSEMBLY	1		38				
14	540440	BRUSH ROCKER ARM 12,5x20	1		39				
15	540446	BRUSH M50	4		40				
16	540442	RAY END BELL	1		41				
17	540443	BEARING 6205-2RS-P63	1		42				
18	540444	BRUSH COVER	1		43				
19	540445	SPRING	4		44				
20	540451	TERMINAL A2	1		45				
21	540452	TERMINAL A1	1		46				
22					47				
23	510347	STATOR CPL. / incl. 8, 9, 10, 11, 12, 13, 20, 21, 25 /	1		48				
24					49				
25	540455	SEALING	1		50				

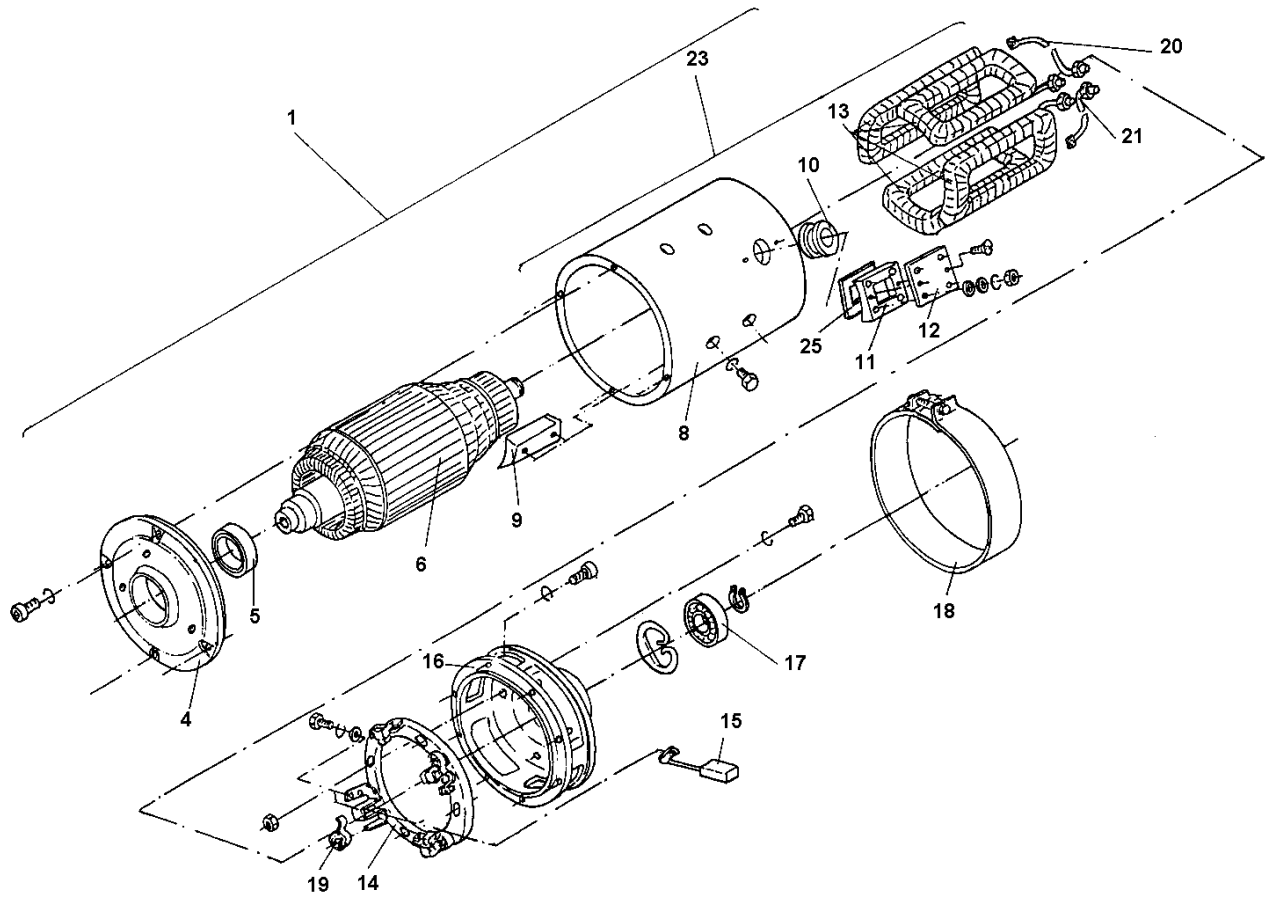
Model: 2xx 36V

14A

From:

To:

ELECTRIC MOTOR



NO	PART NO.	DESCRIPTION	REQ	EFFECTIVE	NO	PART NO.	DESCRIPTION	REQ	EFFECTIVE
				from car					to car
1	540370	MOTOR CPL. ET 2.1/48/32	1		26				
2					27				
3					28				
4	540431	FRONT END BELL	1		29				
5	540432	SEALING	1		30				
6	540447	ROTOR	1		31				
7					32				
8	540448	BODY	1		33				
9	540449	POLE	1		34				
10	540436	BUSH	1		35				
11	540437	BASE	1		36				
12	540438	CLAMPING STRAP	1		37				
13	510350	SERIES CON COIL ASSEMBLY	1		38				
14	540440	BRUSH ROCKER ARM 12,5x20	1		39				
15	540446	BRUSH M50	4		40				
16	540442	RAY END BELL	1		41				
17	540443	BEARING 6205-2RS-P63	1		42				
18	540444	BRUSH COVER	1		43				
19	540445	SPRING	4		44				
20	540451	TERMINAL A2	1		45				
21	540452	TERMINAL A1	1		46				
22					47				
23	540454	STATOR CPL. / incl. 8, 9, 10, 11, 12, 13, 20, 21, 25 /	1		48				
24					49				
25	540455	SEALING	1		50				

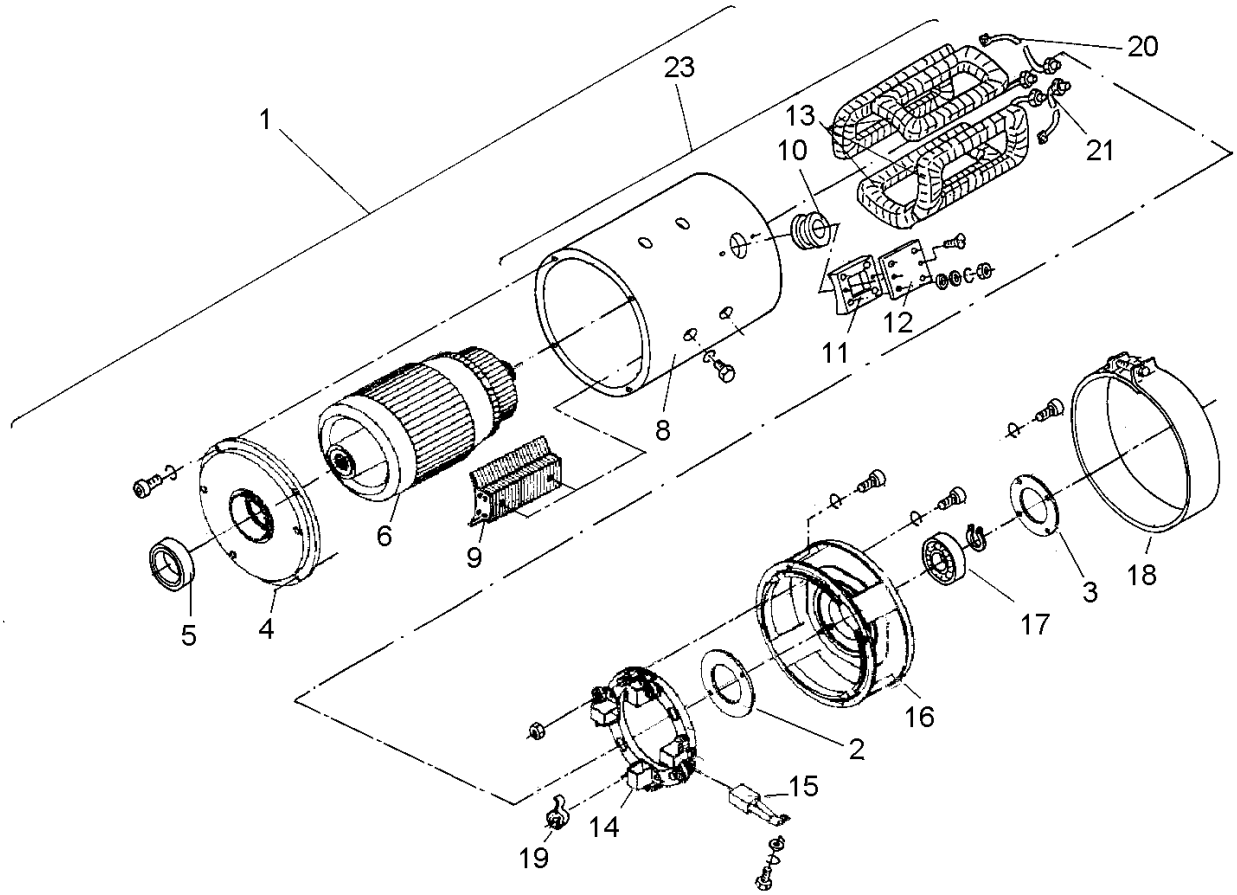
Model: 2xx 48V

14B

From:

To:

ELECTRIC MOTOR



NO	PART NO.	DESCRIPTION	REQ	EFFECTIVE from car to car	NO	PART NO.	DESCRIPTION	REQ	EFFECTIVE from car to car
1	540391	MOTOR CPL. ETH 2.8/4.8/34-01/SEP EX/	1		26				
2	540394	INSIDE BEARING CAP	1		27				
3	540393	OUTSIDE BEARING CAP	1		28				
4	540431	FRONT END BELL	1		29				
5	540432	SEALING	1		30				
6	540397	ROTOR	1		31				
7					32				
8		BODY	1		33				
9		POLE	1		34				
10	540436	BUSH	1		35				
11	540437	BASE	1		36				
12	540438	CLAMPING STRAP	1		37				
13		SERIES CON COIL ASSEMBLY	1		38				
14	540440	BRUSH ROCKER ARM	1	12,5x20	39				
		/incl. 19/							
15	540446	BRUSH M50	4		40				
16	540396	RAY END BELL	1		41				
17	540443	BEARING 6205-2RS-P63	1		42				
18	540444	BRUSH COVER	1		43				
19	540445	SPRING	4		44				
20	540451	TERMINAL A2	1		45				
21	540452	TERMINAL A1	1		46				
22					47				
23	540395	STATOR CPL. /incl. 8, 9, 10, 11, 12, 13, 20, 21, 25 /	1		48				
24					49				
25					50				

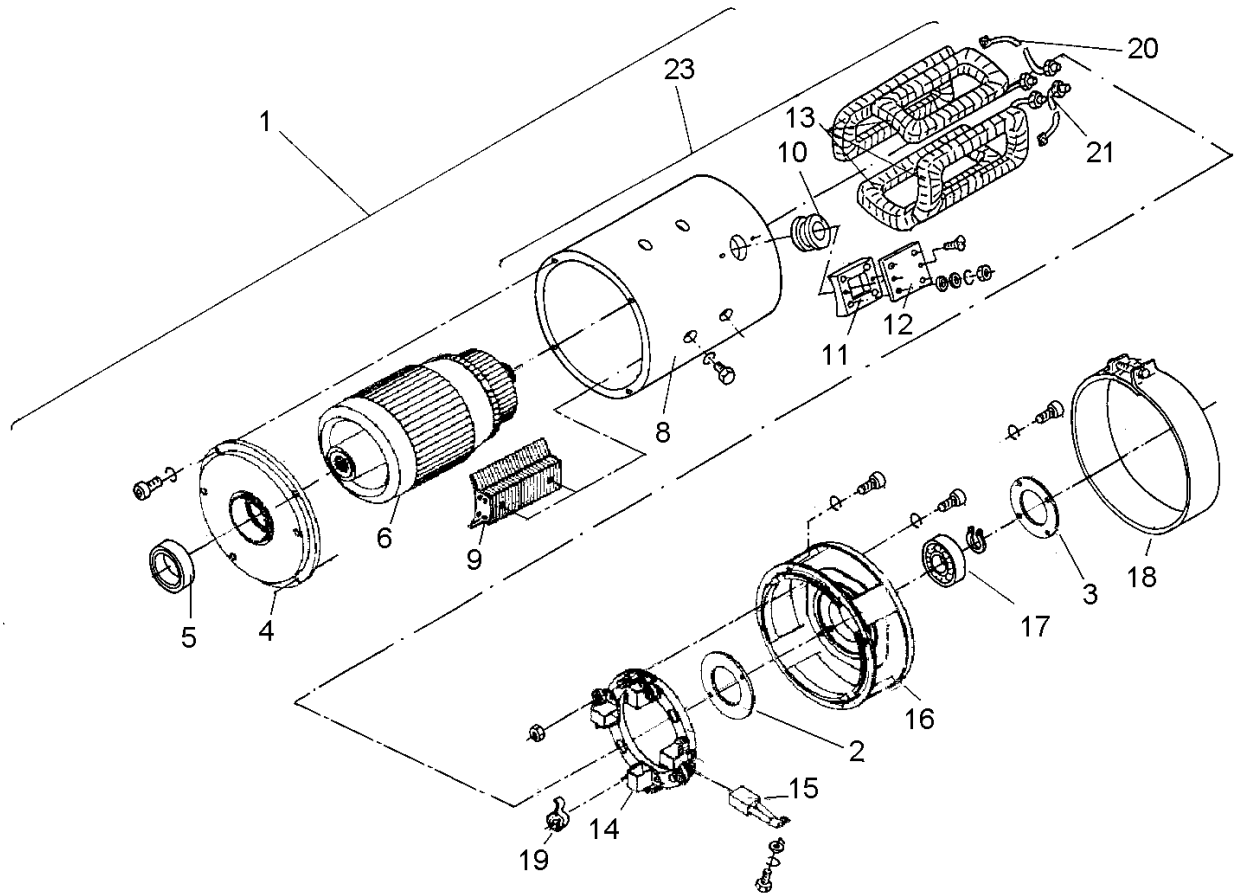
Model: 24x 48V SepEx

14C

From:

To:

ELECTRIC MOTOR



NO	PART NO.	DESCRIPTION	REQ	EFFECTIVE from car to car	NO	PART NO.	DESCRIPTION	REQ	EFFECTIVE from car to car
1	540391	MOTOR CPL. ETH 2.8/4.8/34-01/SEP EX/	1		26				
2	540394	INSIDE BEARING CAP	1		27				
3	540393	OUTSIDE BEARING CAP	1		28				
4	540431	FRONT END BELL	1		29				
5	540432	SEALING	1		30				
6	540397	ROTOR	1		31				
7					32				
8		BODY	1		33				
9		POLE	1		34				
10	540436	BUSH	1		35				
11	540437	BASE	1		36				
12	540438	CLAMPING STRAP	1		37				
13		SERIES CON COIL ASSEMBLY	1		38				
14	540440	BRUSH ROCKER ARM	1	12,5x20	39				
15	540446	BRUSH M50	4		40				
16	540396	RAY END BELL	1		41				
17	540443	BEARING 6205-2RS-P63	1		42				
18	540444	BRUSH COVER	1		43				
19	540445	SPRING	4		44				
20	540451	TERMINAL A2	1		45				
21	540452	TERMINAL A1	1		46				
22					47				
23	540395	STATOR CPL. /incl. 8, 9, 10, 11, 12, 13, 20, 21, 25 /	1		48				
24					49				
25					50				

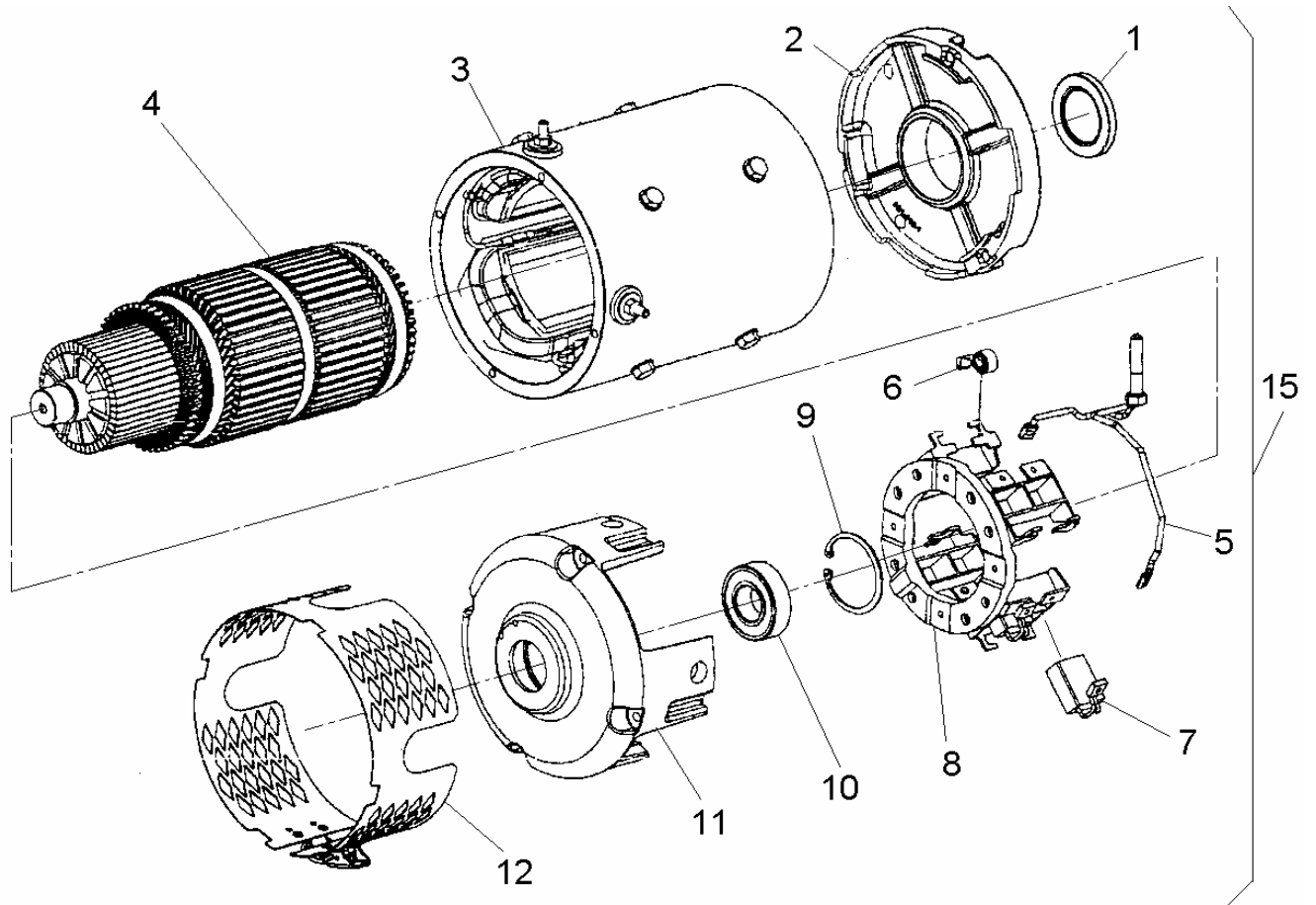
Model: 2xx 48V SepEx

14D

From:

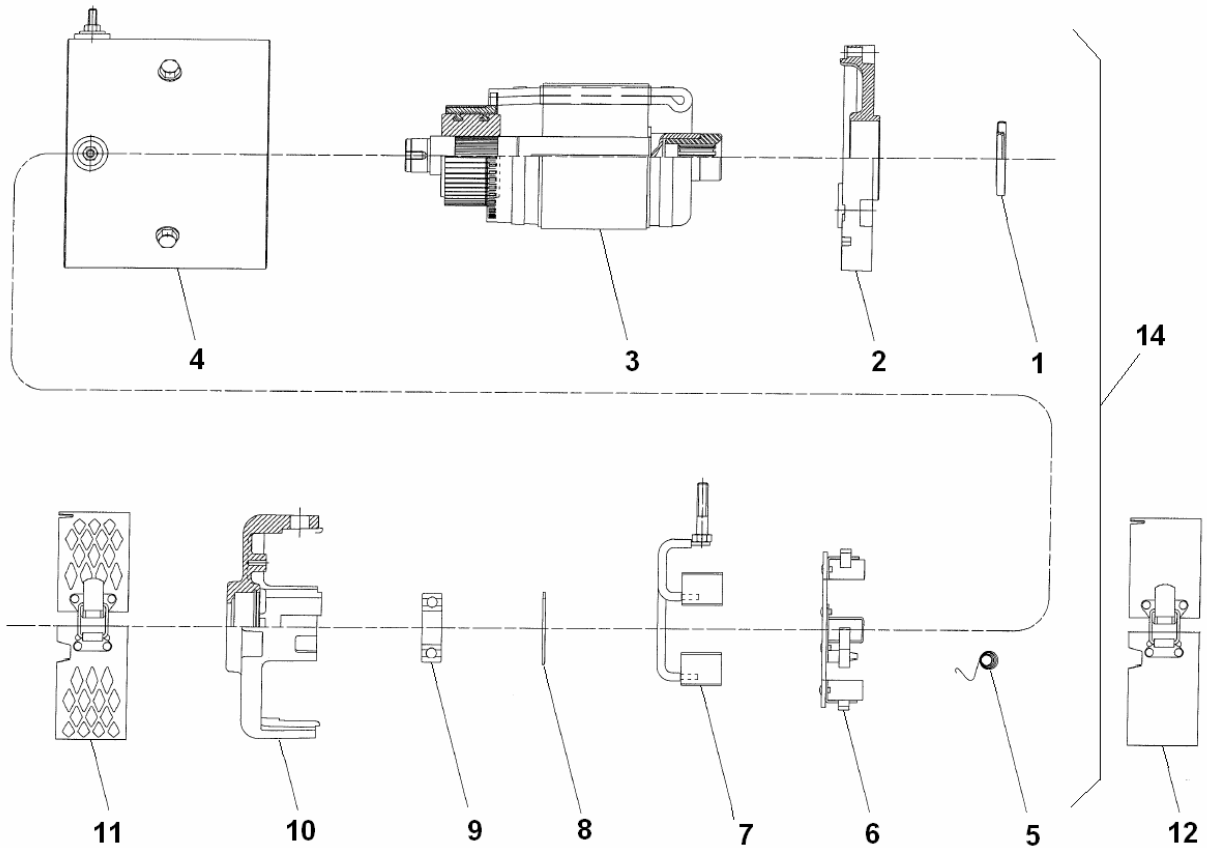
To:

ELECTRIC MOTOR 3,9 kW DV3-4006A



NO	PART NO.	DESCRIPTION	REQ	EFFECTIVE from car to car	NO	PART NO.	DESCRIPTION	REQ	EFFECTIVE from car to car
1	627328	SEALING H-017	1		26				
2	627331	DRIVE ENDHEAD A03-113B	1		27				
3	627332	FRAME & FIELD ASSEMBLY DA3-2151	1		28				
4	627333	ARMATURE ASSEMBLY DV3-2136	1		29				
5	627334	BRUSH LEAD ASSY KIT 893-2034HS	1		30				
6	627335	BRUSH SPRING B89-016	4		31				
7	627326	BRUSH A91-112A	8		32				
8	627336	BRUSH BOX ASSEMBLY J89-1064	1		33				
9	627337	RETAINING RING H-004	1		34				
10	627338	BEARING BR-205	1		35				
11	627339	COMMUTATOR END HEAD CS8-002B	1		36				
12	627340	HEADBAND ASSEMBLY HB-1052	1		37				
13					38				
14					39				
15	627325	MOTOR DV3-4006A 48V /SEP EX/	cpl.		40				
16					41				
17					42				
18					43				
19					44				
20					45				
21					46				
22					47				
23					48				
24					49				
25					50				

ELECTRIC MOTOR 2,1 kW DE6-4013



NO	PART NO.	DESCRIPTION	REQ	EFFECTIVE from car to car	NO	PART NO.	DESCRIPTION	REQ	EFFECTIVE from car to car
1	627328	SEAL H-017	1		26				
2	627331	DRIVE END HEAD A99-113A	1		27				
3		ARMATURE ASSEMBLY A06-2386	1		28				
4		FRAME & FIELD ASSEMBLY DE6-2151	1		29				
5		BRUSH SPRING B00-016A	4		30				
6		BRUSH PLATE ASSEMBLY A94-1064C	1		31				
7		BRUSH LEAD & TERMINAL SERWIS KIT (H-100) AC6-2034DS	1		32				
8	627337	RETAINING RING H-004	1		33				
9	627338	BEARING BR-205	1		34				
10		COMMUTATOR END HEAD H06-112G	1		35				
11		HEADBAND ASSEMBLY HB-1061	1		36				
12	627643	HEADBAND ASSEMBLY HB-1030	1		37				
13					38				
14	627570	MOTOR DE6-4013 36V 2,1 Kw /SEP EX/	Cpl.		39				
15					40				
16					41				
17					42				
18					43				
19					44				
20					45				
21					46				
22					47				
23					48				
24					49				
25					50				

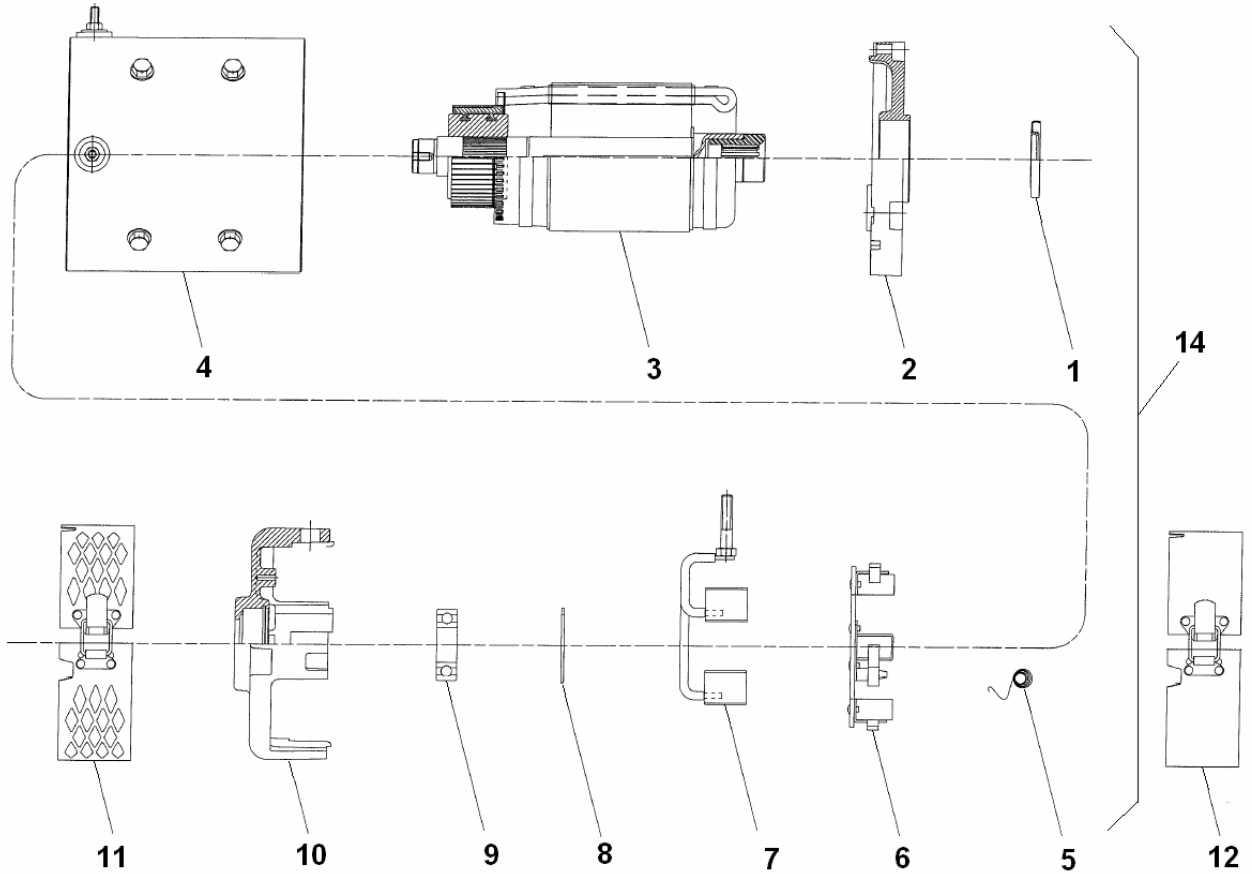
Model: 2xx 36V SepEx

14F

From:

To:

ELECTRIC MOTOR 2,8 kW DL6-4004



NO	PART NO.	DESCRIPTION	REQ	EFFECTIVE	NO	PART NO.	DESCRIPTION	REQ	EFFECTIVE
				from car				from car	to car
1	627328	SEAL H-017	1		26				
2	627331	DRIVE END HEAD A99-113A	1		27				
3		ARMATURE ASSEMBLY K06-2246	1		28				
4		FRAME & FIELD ASSEMBLY DL6-2121	1		29				
5		BRUSH SPRING B00-016A	4		30				
6		BRUSH PLATE ASSEMBLY A94-1064C	1		31				
7		BRUSH LEAD & TERMINAL SERWIS KIT (H-100) AC6-2034DS	1		32				
8	627337	RETAINING RING H-004	1		33				
9	627338	BEARING BR-205	1		34				
10		COMMUTATOR END HEAD H06-112G	1		35				
11		HEADBAND ASSEMBLY HB-1061	1		36				
12	627643	HEADBAND ASSEMBLY HB-1030	1		37				
13					38				
14	627571	MOTOR DL6-4004 48V 2,8 Kw /SEP EX/		Cpl.	39				
15					40				
16					41				
17					42				
18					43				
19					44				
20					45				
21					46				
22					47				
23					48				
24					49				
25					50				

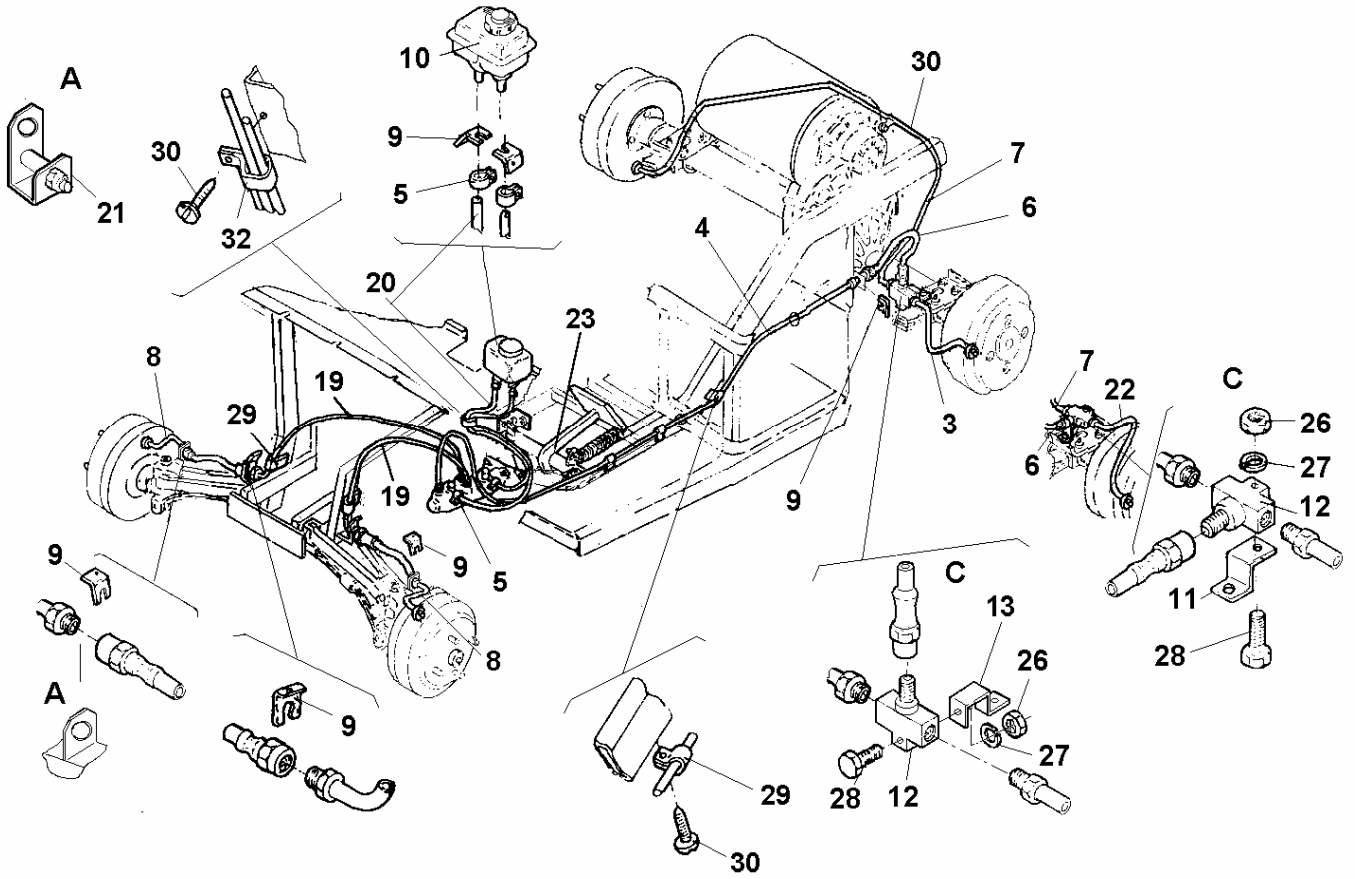
Model: 2xx 48V SepEx

14G

From:

To:

HYDRAULIC BRAKE



NO	PART NO.	DESCRIPTION	REQ	EFFECTIVE from car to car	NO	PART NO.	DESCRIPTION	REQ	EFFECTIVE from car to car
1	627508	RIGID PIPE - CURVED	1	10-'05	26	700108	NUT M6	1	
2	627509	RIGID PIPE - CURVED	1	10-'05	27	700115	LOCK WASHER 6,1	1	
3	627510	RIGID PIPE - CURVED	1	10-'05	28	700159	BOLT M6-25	1	
4	310306	RIGID PIPE - STRAIGHT	1		29	700183	COLLAR 6-II A	6	
5	300160	COLLAR	4		30	700381	SCREW 4,2-13	7	
6	300161	BRAKE HOSE /FLEXIBLE/	3		31				
7	627511	REAR RIGID PIPE	1		32	700403	PLASTIC CLIP 20-1	1	
8	310338	RIGID PIPE - CURVED	2	07-'03	33	710183	GROMMET 6	1	
9	300164	CLIP	7		34	700449	SCREW 4,8-16	2	
10	300165	BRAKE FLUID TANK	1		35				
11	300166	„Z” BAR	1	10-'05	36				
12	300167	THREE-VAY CONNECTION	1		37				
13	627512	BRACKET	1	10-'05	38				
14					39	730129	PLASTIC CLIP TK 12/5	1	
15					40				
16					41				
17					42				
18	310303*	WASHER	2		43				
19					44				
20	300235	BRAKE HOSE /FLEXIBLE/	2		45				
21	310339	BRACKET	2	07-'03	46				
22	340146	RIGID PIPE - CURVED	1	10-'05	47				
23		BRAKE ACTUATING ASSY / PAGE NO. 16A /	1		48				
24					49				
25					50				

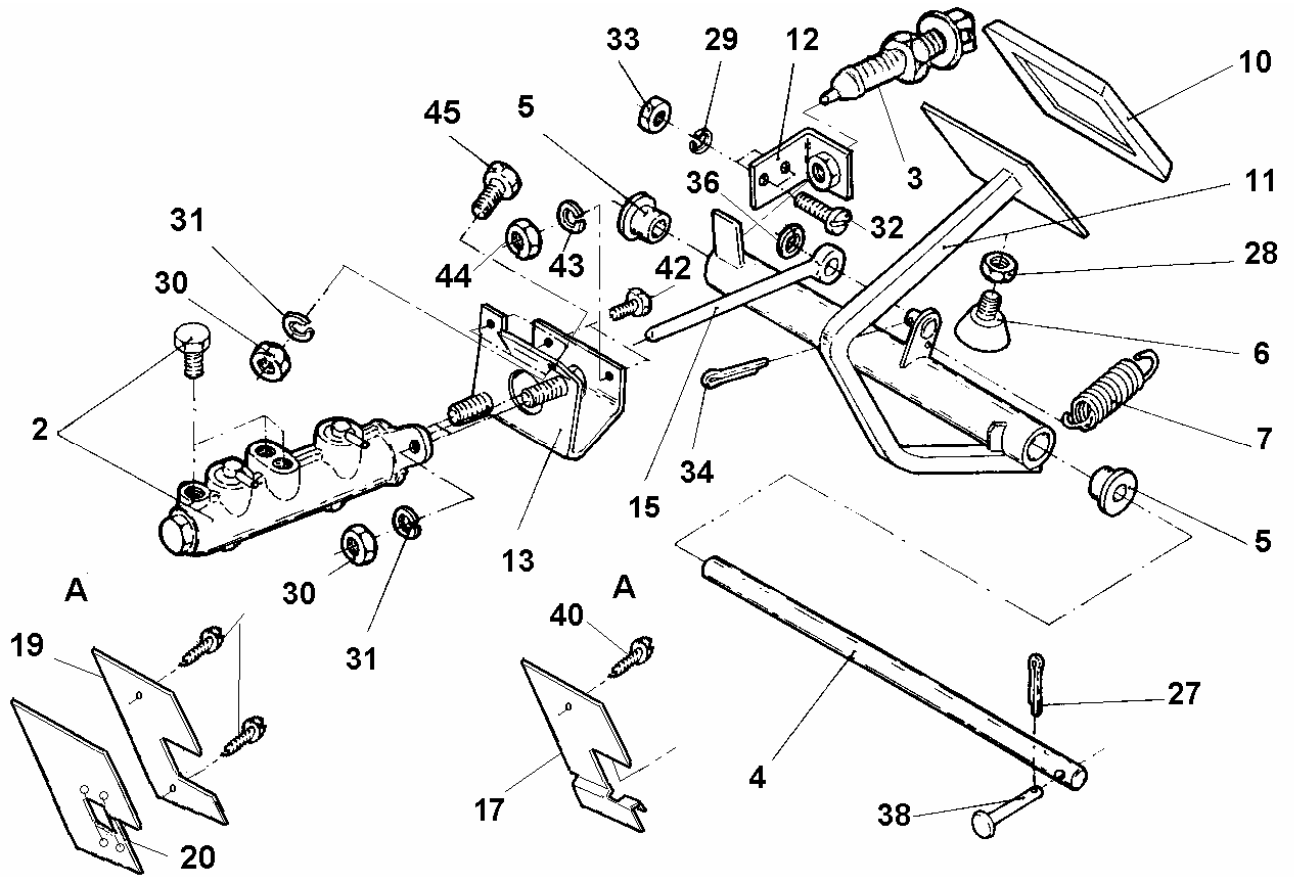
Model: 24x

15A

From:

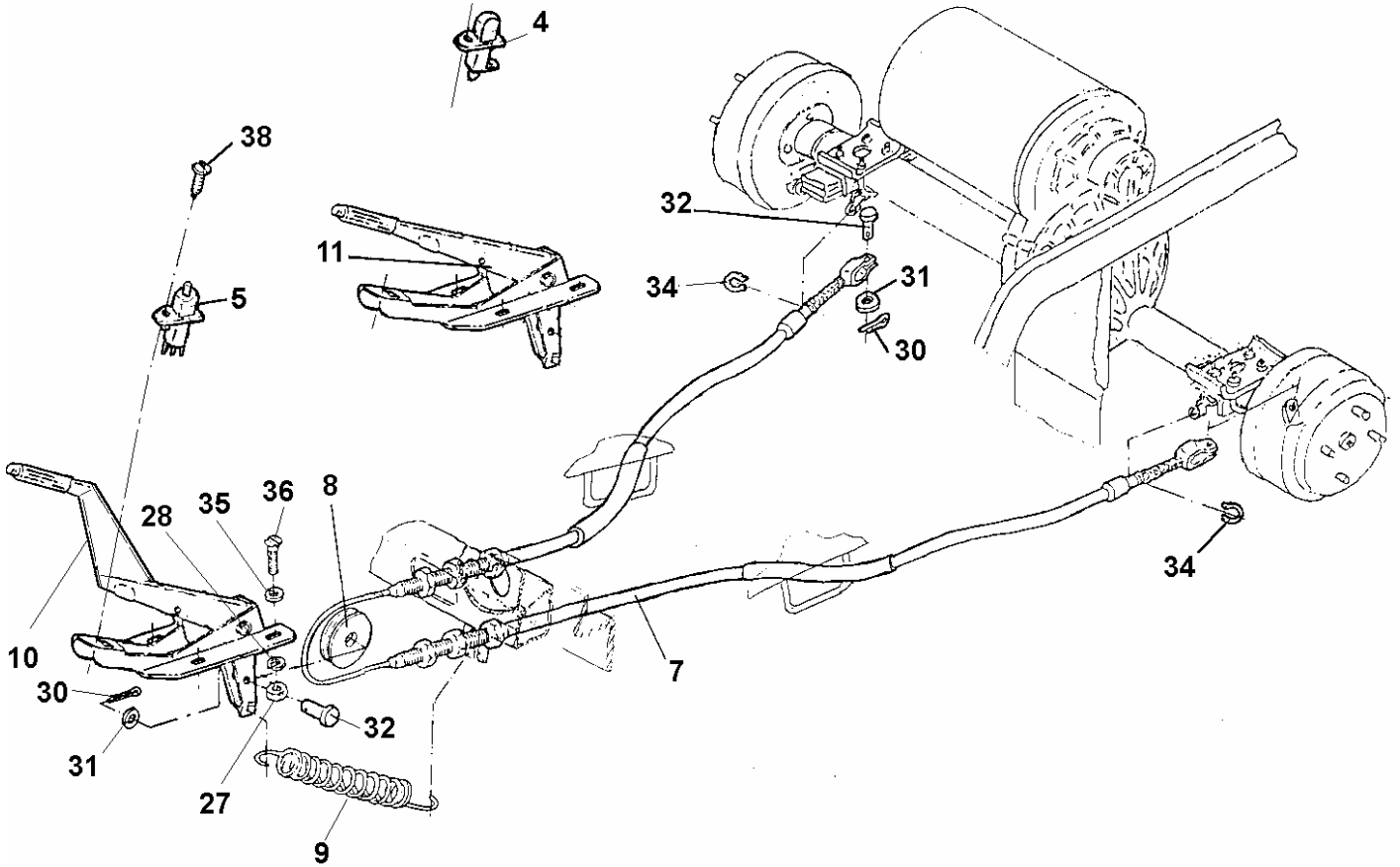
To:

BRAKE ACTUATING ASSY



NO	PART NO.	DESCRIPTION	REQ	EFFECTIVE from car to car	NO	PART NO.	DESCRIPTION	REQ	EFFECTIVE from car to car
1					26				
2	300168	BRAKE PUMP	1		27	700174	COTTER PIN S1,6-10	1	
3	300175	„STOP” SWITCH	1		28	700118	NUT M10	1	
4	300462	PIN	1		29	700103	LOCK WASHER 5,1	2	
5	300551	BUSHING	2		30	700106	NUT M8	4	
6	300568	STOP	1		31	700128	LOCK WASHER 8,2	2	
7	300451	SPRING	1		32	700173	SCREW M5-25	2	
8					33	700242	NUT M5	2	
9					34	700262	COTTER PIN S2,5-16	1	
10	310149	PAD	1		35				
11	310245	BRAKE PEDAL ASSY /incl. 10/	1		36	700175	FLAT WASHER 10,5	1	
12	310246	BRACKET	1		37				
13	300239	BRAKE PUMP BRACKET	1		38	700404	PIN 4-18/34	1	
14					39				
15	300238	PUSH ROD	1		40	700422	SCREW 4,8-13	2	
16					41				
17	300386	PLATE	1		42	700247	BOLT M6-16	2	
18					43	700115	LOCK WASHER 6,1	2	
19					44	700108	NUT M6	2	
20					45	700310	BOLT M8-16	2	
21					46				
22					47				
23					48				
24					49				
25					50				

HAND BRAKE



NO	PART NO.	DESCRIPTION	REQ	EFFECTIVE from car to car	NO	PART NO.	DESCRIPTION	REQ	EFFECTIVE from car to car
1					26				
2					27	700106	NUT M 8	4	
3					28	700128	LOCK WASHER 8,2	4	
4	500186	SWITCH	1		29				
5	627427	SWITCH	1	06-'04	30	700263	COTTER PIN S2-14	3	
6				06-'04	31	700266	FLAT WASHER 8,4	3	
7	310286	CABLE CPL.	1		32	700322	PIN 8-22/19	3	
8	310256	CABLE PULLEY	1		33				
9	310257	SPRING	1		34	700348	RETAINER RING Z 13	2	
10	860112	HAND BRAKE LEVER	1		35	700357	CONICAL WASHER 9,5	4	
11	310258	HAND BRAKE LEVER	1	05-'04	36	700358	BOLT M8-25	4	
12				05-'04	37				
13					38	700428	SCREW 3,9	1	
14					39				
15					40				
16					41				
17					42				
18					43				
19					44				
20					45				
21					46				
22					47				
23					48				
24					49				
25					50				

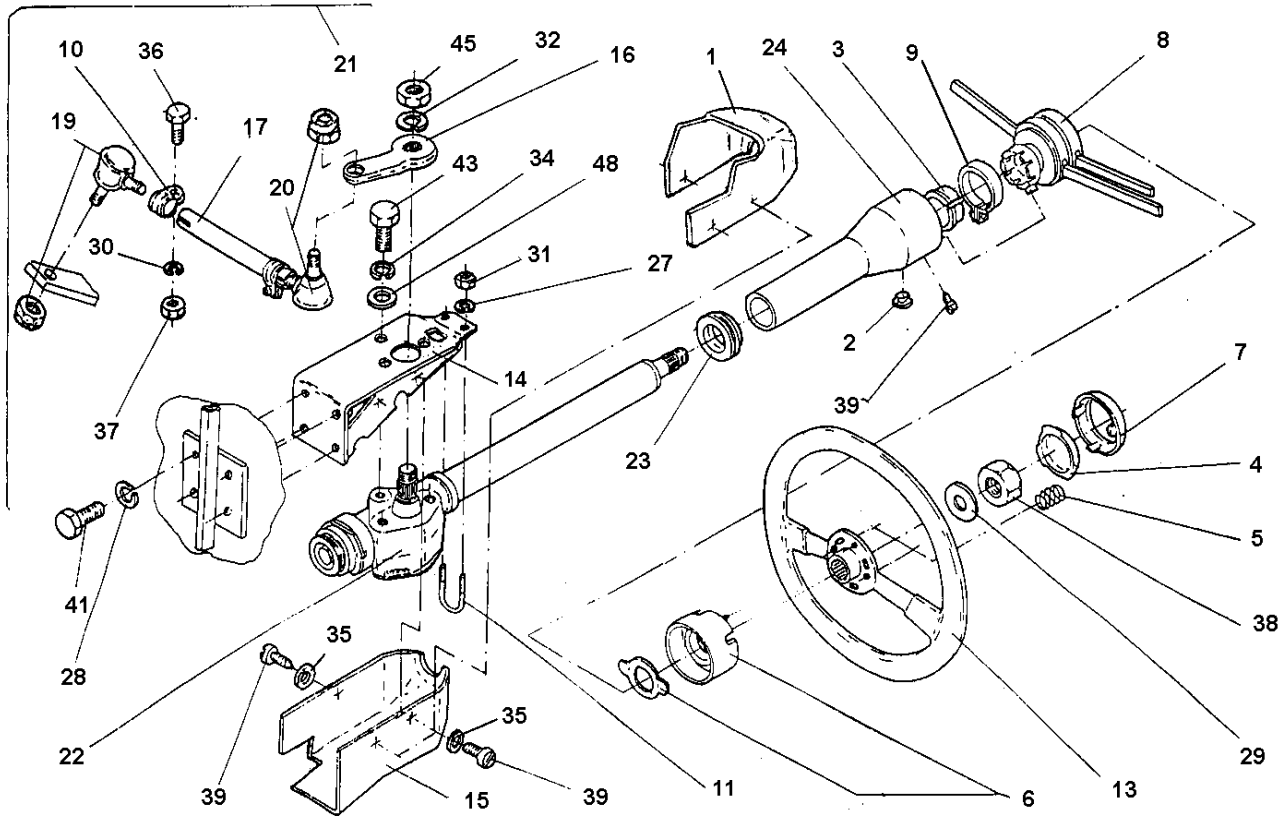
Model: 2xx

17A

From:
06-2004

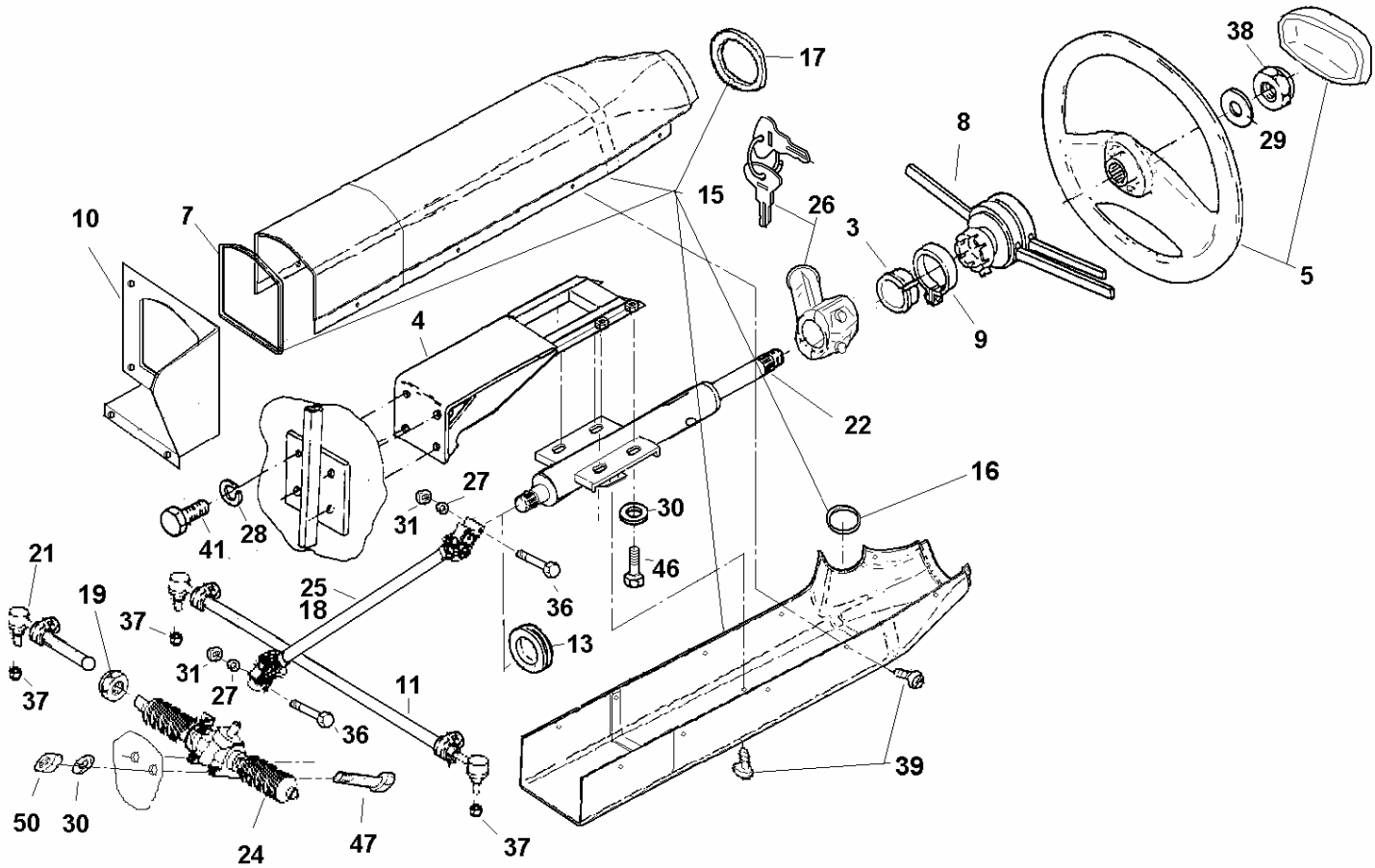
To:

STEERING SYSTEM



NO	PART NO.	DESCRIPTION	REQ	EFFECTIVE from car to car	NO	PART NO.	DESCRIPTION	REQ	EFFECTIVE from car to car
1	200214	COVER	1		26				
2	200211	STOPPER	1		27	700115	LOCK WASHER 6,1	2	
3	200213	INSERT	1		28	700123	LOCK WASHER 10,2	4	
4	200216	HORN-BUTTON	1		29	700125	FLAT WASHER 17	1	
5	200217	SPRING	2		30	700128	LOCK WASHER 8,2	2	
6	200219	COVER	1		31	700150	NUT M6	2	
7	200220	COVER	1		32	700195	LOCK WASHER 16,3	1	
8	540322	SWITCH	1		33				
9	200218	COLLAR	1		34	700211	LOCK WASHER 10,2	3	
10	300403	CLAMP BAND	2		35	700301	NUT 6,5	3	
11	300444	„U“ BOLT	1		36	700344	BOLT M8-35	2	
12					37	700345	NUT M8	2	
13	200222	STEERING WHEEL	1		38	700375	NUT M16-1,5	1	
14	260229	BRACKET	1		39	700379	SCREW 4,8-13	4	
15	200215	COVER	1		40				
16	310163	ARM	1		41	700453	BOLT M10-30	4	
17	300203	TIE ROD	1		42				
18					43	800117	BOLT	3	
19	310171	TIE ROD END - LEFT	1		44				
20	310172	TIE ROD END - RIGHT	1		45	800876	NUT	1	
21	310205	TIE ROD ASSY /incl. 17, 19, 20, 30, 36, 37/	1		46				
22	200223	STEERING COLUMN ASSY /PAGE NO. 19A/	1		47				
23	200212	RUBBER SEAL	1		48	810111	FLAT WASHER	3	
24	200210	COVER	1		49				
25					50				

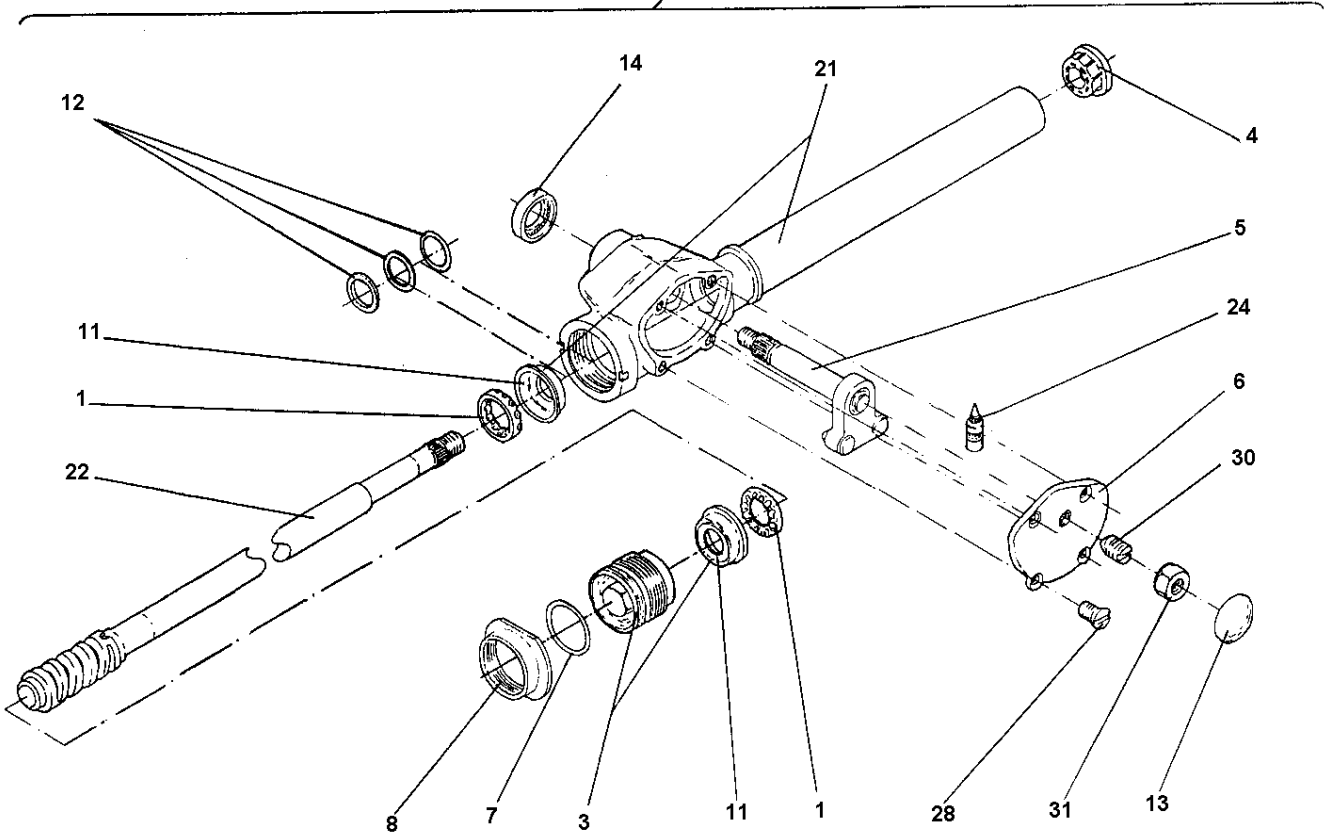
STEERING SYSTEM



NO	PART NO.	DESCRIPTION	REQ	EFFECTIVE from car to car	NO	PART NO.	DESCRIPTION	REQ	EFFECTIVE from car to car
1					26	510361	IGNITON SWITCH	1	
2					27	700128	LOCK WASHER 8,2	3	
3					28	700123	LOCK WASHER 10,2	4	
4	250101	COLUMN BRACKET	1		29	700265	FLAT WASHER 16,5	1	
5	627503	STEERING WHEEL	1	198381 12-'06	30	700193	WASHER 8,4	4	
6					31	700303	NUT M8	2	
7	627386	COVER RUBBER SEAL	1	198381 12-'06	32				
8	540322	SWITCH	1		33				
9	200218	COLLAR	1		34				
10	250104	COVER	1	198381 12-'06	35				
11	627494	TIE ROD ASSY	1	198381 12-'06	36	700344	BOLT M8-35	2	
12					37	627916	LOCK NUT M8-8	2	
13					38	710218	LOCK NUT M16	1	
14					39	700381	SCREW M8-12	1	
15	250103	COVER	1	198381 12-'06	40				
16	627619	SWITCH RUBBER SEAL	1		41	700453	BOLT M10-30	4	
17	627599	RUBBER SEAL	1	198381 12-'06	42				
18	250105	JOINT, COMPOUND STEERING L=511	1	198381 12-'06	43				
19	627598	NUT	1	198381 12-'06	44				
20					45				
21	627595	STEERING TIE ROD /incl./	1	198381 12-'06	46	710167	BOLT M8-20	4	
22	627590	STEERING COLUMN ASSY	1	198381 12-'06	47	627915	BOLT M8-90	2	
23					48				
24	627592	STEERING GEAR ASSY	1	198381 12-'06	49				
25	250102	JOINT, COMPOUND STEERING L=495	1	198395 01-'07	50	627911	NUT M8-8	2	

STERING COLUMN

20



RM99

NO	PART NO.	DESCRIPTION	REQ	EFFECTIVE from car to car	NO	PART NO.	DESCRIPTION	REQ	EFFECTIVE from car to car
1	300522	BEARING	2		26				
2					27				
3	300525	SCREW ASSY (incl. 11)	1		28	700168	SCREW M8-20	4	
4	300534	PLASTIC BUSHING	1		29				
5	300539	DRIVER	1		30	700235	SCREW	1	
6	300540	CAP	1		31	700236	NUT M12	1	
7	300543	GASKET	1		32				
8	300544	COUNTER NUT	1		33				
9	300545	GASKET	1		34				
10					35				
11	300555	OUTER BEARING CAP	2		36				
12	300565	WASHER SETS	A/R		37				
13	300808	RUBBER CAP	1		38				
14	300883	GREASE SEAL A22-35-7	1		39				
15					40				
16					41				
17					42				
18					43				
19					44				
20	200223	STEERING COLUMN ASSY	1		45				
21	200251	HOUSING ASSY (incl. 11)	1		46				
22	200250	STEERING SHAFT	1		47				
23					48				
24	310314	SEALANT, SILICON	A/R		49				
25					50				

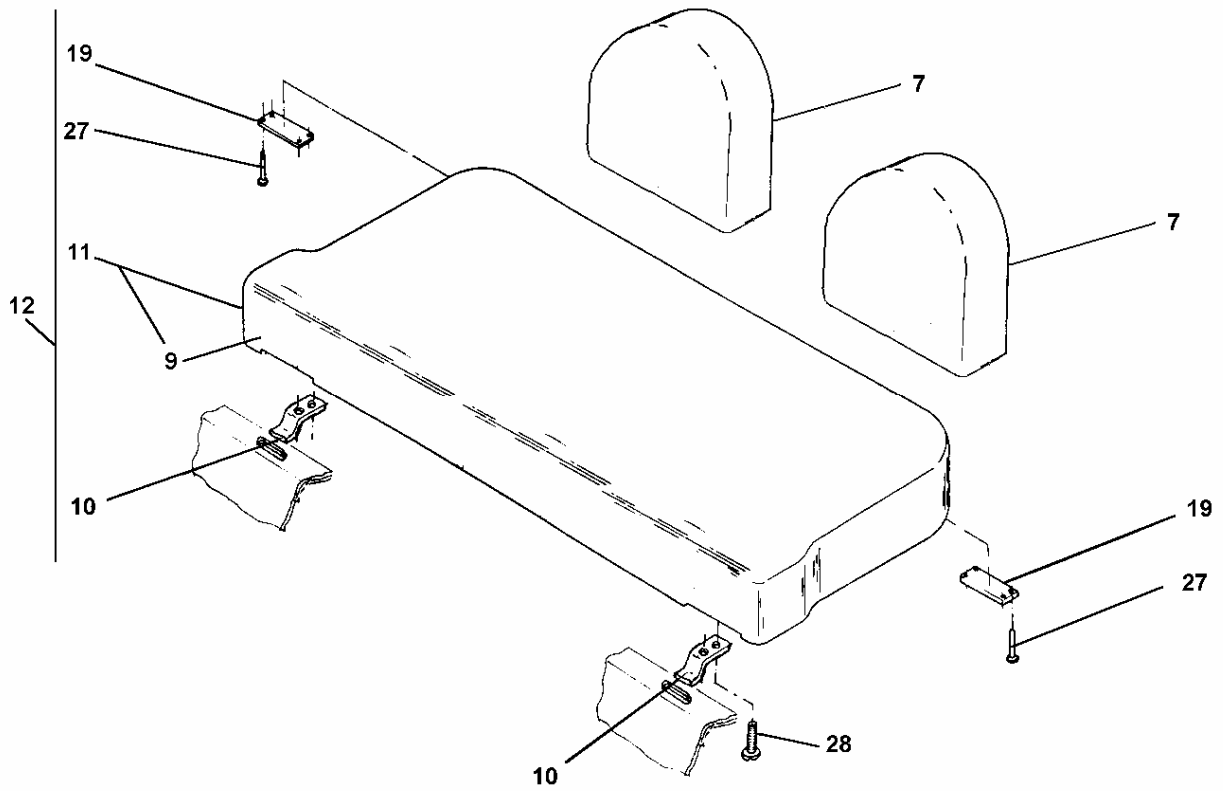
Model: 2xx

19A

From:

To:
12-2006

BENCH SEAT



NO	PART NO.	DESCRIPTION	REQ	EFFECTIVE from car to car	NO	PART NO.	DESCRIPTION	REQ	EFFECTIVE from car to car
1					26				
2					27	700373	NAIL 2-20	8	
3					28	700180	SCREW 6,3-32	4	
4					29				
5					30				
6					31				
7	627629	SEAT BACK	2		32				
8					33				
9					34				
10	100230	HINGE	2		35				
11	100231	SEAT SEAMLESS	1		36				
12	100232	SEAT ASSY - SEAMLESS /incl. 9, 10, 19, 27, 28 /	1		37				
13					38				
14					39				
15					40				
16					41				
17					42				
18					43				
19	300187	RUBBER PAD	2		44				
20					45				
21					46				
22					47				
23					48				
24					49				
25					50				

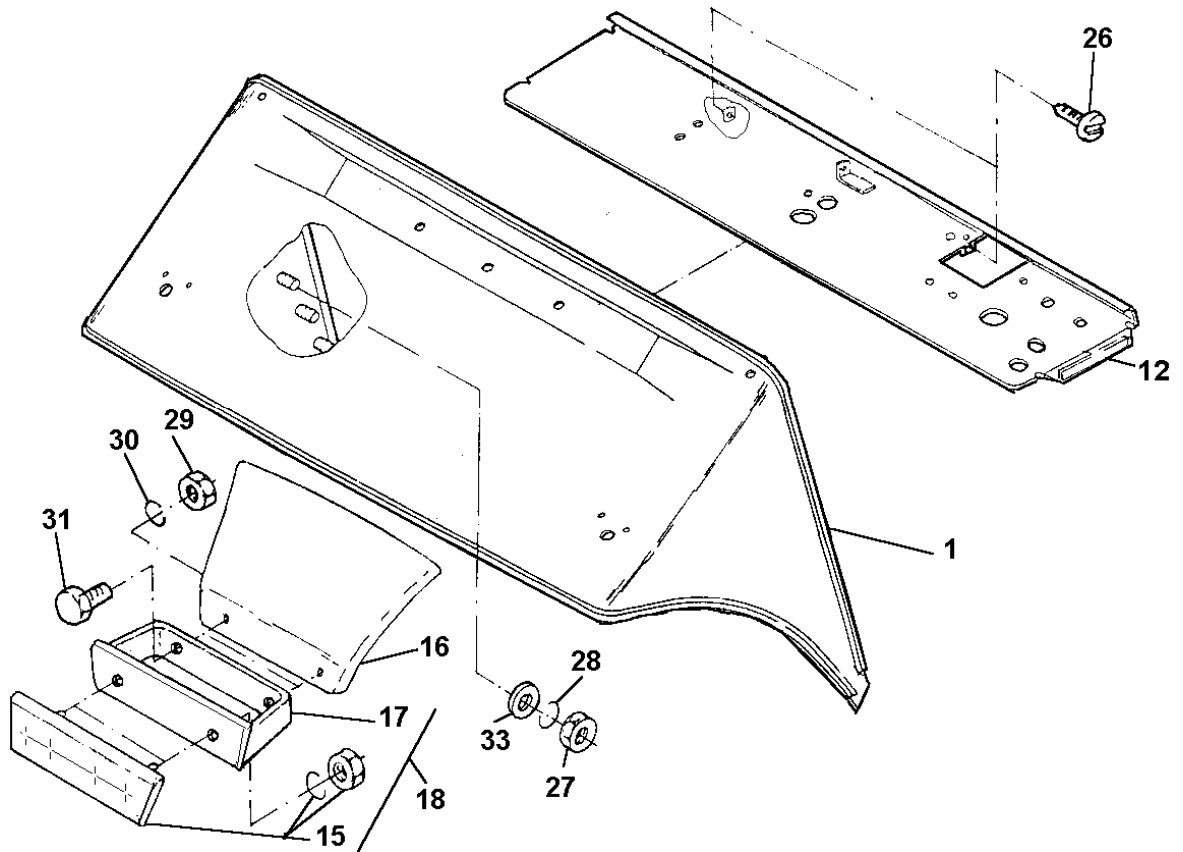
Model: 2xx

22A

From:

To:

BODY ELEMENTS – FRONT



NO	PART NO.	DESCRIPTION	REQ	EFFECTIVE from car to car	NO	PART NO.	DESCRIPTION	REQ	EFFECTIVE from car to car
1	100158	FRONT COWL	1		26	700101	SCREW 4,8-16	2	
2					27	700108	NUT M6	17	
3					28	700115	LOCK WASHER 6,1	17	
4					29	700118	NUT M10-5	2	
5					30	700123	LOCK WASHER 10,2	2	
6					31	700198	BOLT M10	2	
7					32				
8					33	700228	NUT 6,5	17	
9					34				
10					35				
11					36				
12	140240	DASH PANEL	1		37				
13					38				
14					39				
15	627369	FRONT RUBBER BUMPER	1	07-'04	40				
16	310275	SHIELD	1	08-'95	41				
17	627377	BUMPER BRACKET	1	07-'04	42				
18	627378	BUMPER CPL. (incl. 15,17)	1	07-'04	43				
19					44				
20					45				
21					46				
22					47				
23					48				
24					49				
25					50				

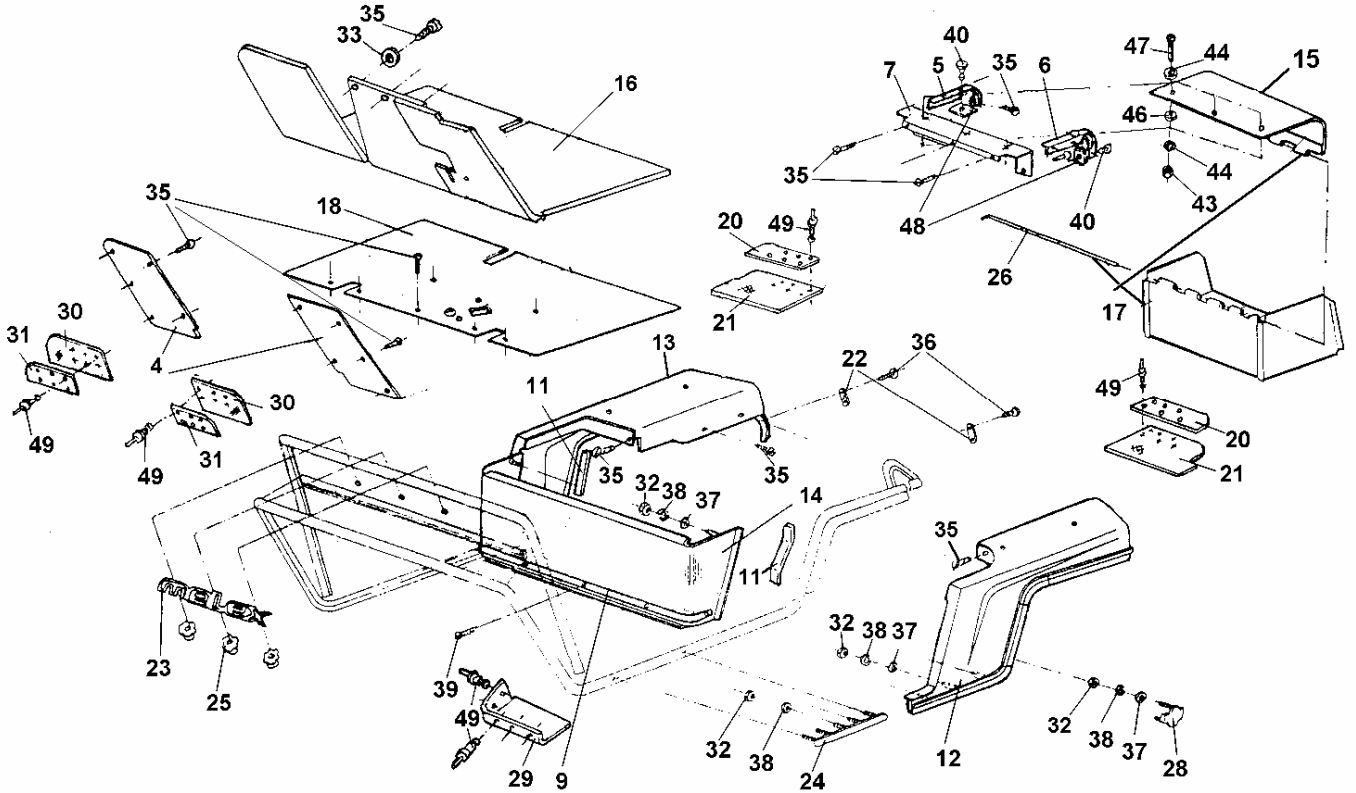
Model: 2xx

23A

From:

To:

BODY ELEMENT - REAR



NO	PART NO.	DESCRIPTION	REQ	EFFECTIVE from car to car	NO	PART NO.	DESCRIPTION	REQ	EFFECTIVE from car to car
1					26	300115	HINGE PIN	1	
2					27				
3					28	300131	BAND	4	
4	100108	FRONT GUARD	2		29	240111	SHIELD	1	
5	100109	BRACKET RIGHT	1		30	240112	SHIELD	2	
6	100110	BRACKET LEFT	1		31	240113	PLATE	2	
7	100111	SHIELD	1		32	700108	NUT M6	33	
8					33	700254	FLAT WASHER 5,3	3	
9	100115	SEAT WRAP TRIM	1		34				
10					35	700101	SCREW 4,8-16	33	
11	140123	INSULATION	1		36	710119	SCREW 4,8-22	4	
12	100123	REAR FENDER - LEFT	1		37	700113	FLAT WASHER 6,4	31	
13	100124	REAR FENDER - RIGHT	1		38	700114	LOCK WASHER 6,1	21	
14	240126	SEAT WRAP PANEL	1		39	700116	SCREW 4,2-16	6	
15	100191	TRUNK LID	1		40	700156	BUCKLE T 27	4	
16	140122	FLOOR MAT	1		41				
17	140124	BAG COMPARTMENT / incl. 15, 26 /	1		42				
18	240109	FLOOR PANEL	1		43	710215	LOCK NUT M6	3	
19					44	700378	FLAT WASHER 5,3	6	
20	240115	PLATE	2		45				
21	240114	GUARD	2		46	700415	FLAT WASHER	3	
22	110105	REAR BUMPER STRIP	2		47	700442	BOLT M6-16	3	
23	300103	„MELEX“ EMBLEM	1		48	700417	LOCK	4	
24	300104	SIDE BUMPER STRIP	2		49	710211	FLAT WASHER 3,2	29	
25	300112	STOPPER	3		50				

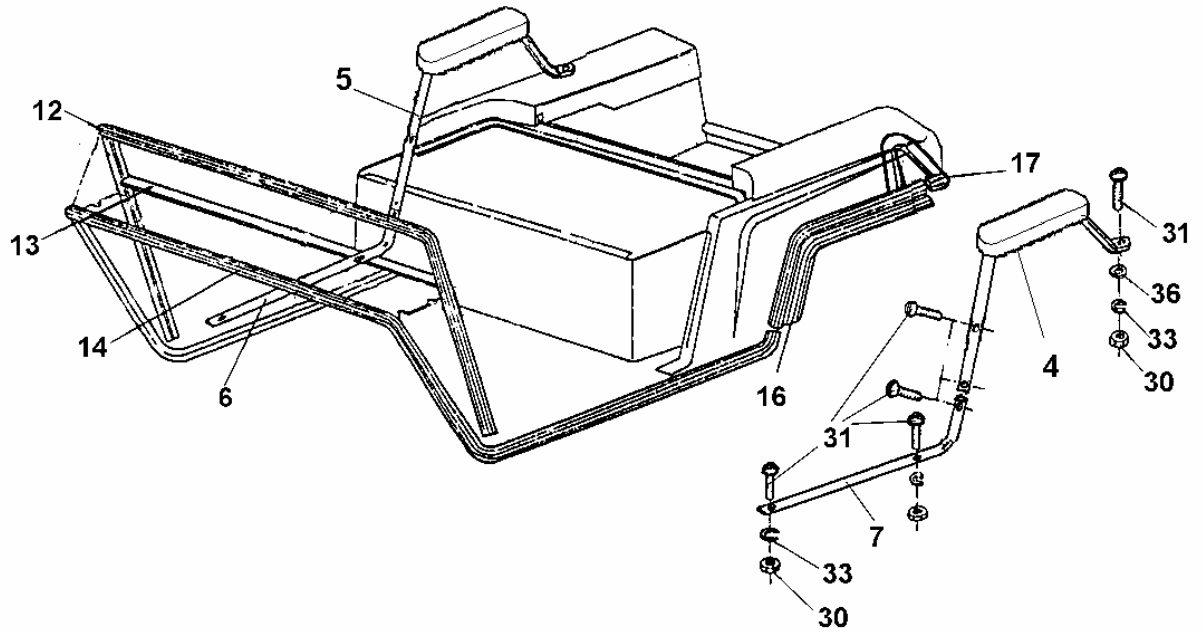
Model: 2xx

24A

From:

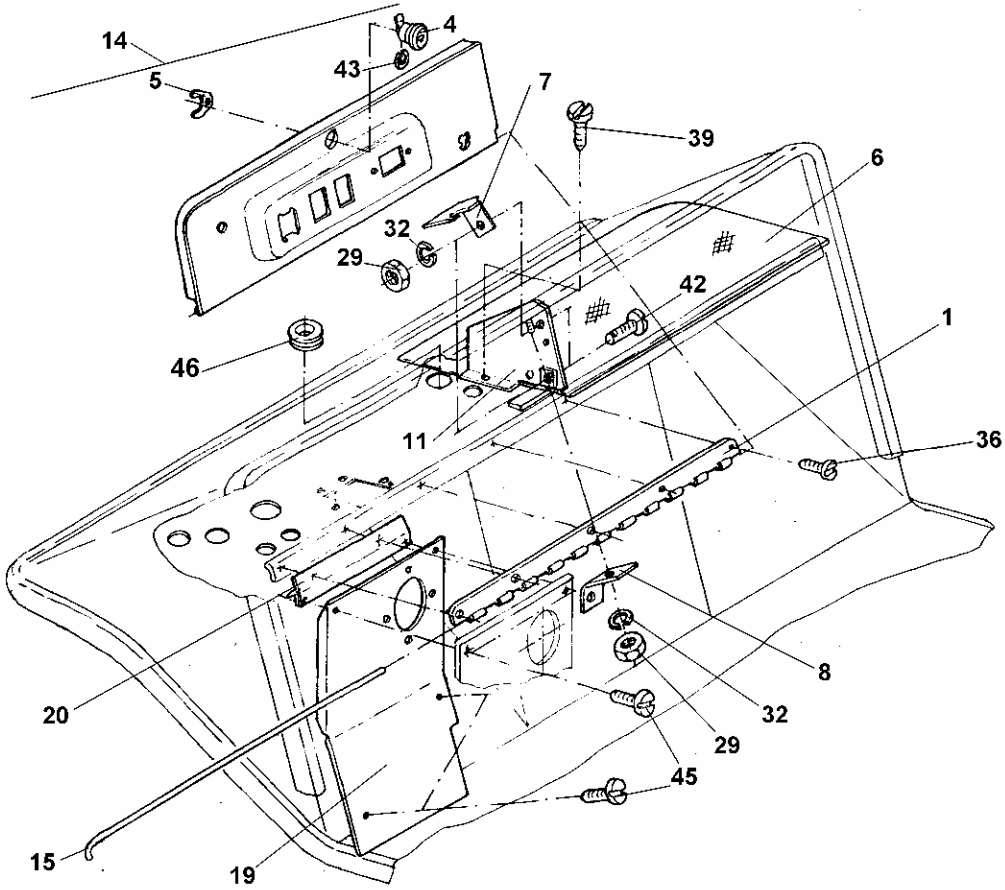
To:

BODY ATTACHMENTS – FRONT



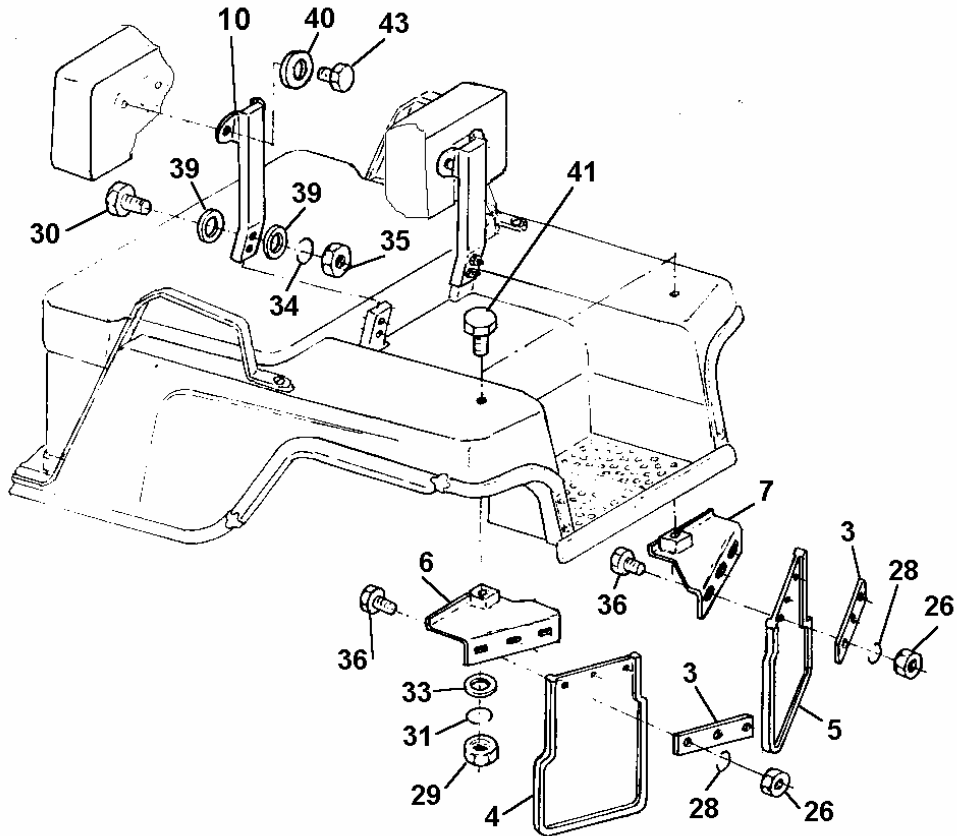
NO	PART NO.	DESCRIPTION	REQ	EFFECTIVE from car to car	NO	PART NO.	DESCRIPTION	REQ	EFFECTIVE from car to car
1					26				
2					27				
3					28				
4	100239	ARM REST LEFT	1		29				
5	100240	ARM REST RIGHT	1	12-'04	30	700108	NUT M6	6	
6	100214	TRIM LEFT	1	12-'04	31	700110	BOLT M6-20	12	
7	100215	TRIM RIGHT	1		32				
8					33	700115	LOCK WASHER 6,1	6	
9					34				
10					35				
11					36	700228	FLAT WASHER 6,5	2	
12	300189	VINYL TRIM	1		37				
13	300190	VINYL TRIM	1		38				
14	300191	VINYL TRIM	1		39				
15					40				
16	240105	VINYL TRIM	2		41				
17	300197	VINYL TRIM	2		42				
18					43				
19					44				
20					45				
21					46				
22					47				
23					48				
24					49				
25					50				

FRONT DASH PANEL



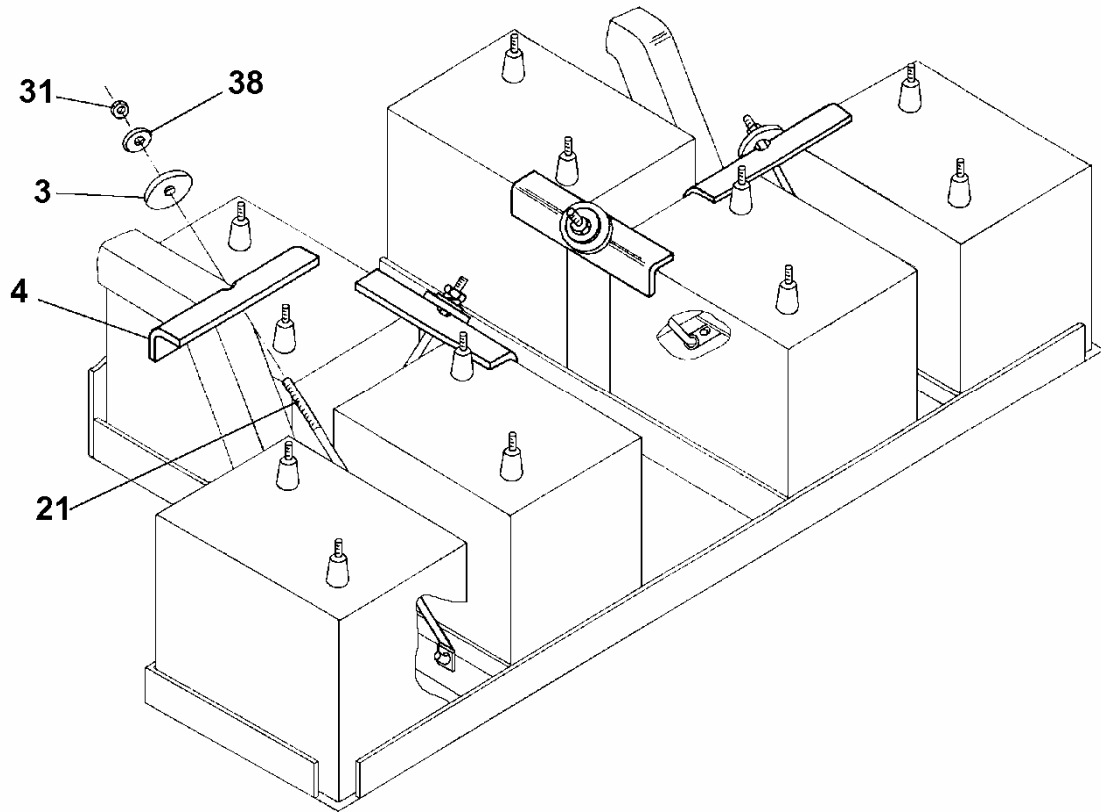
NO	PART NO.	DESCRIPTION	REQ	EFFECTIVE from car to car	NO	PART NO.	DESCRIPTION	REQ	EFFECTIVE from car to car
1	200230	HINGE	1		26				
2					27				
3					28	700108	NUT M6	3	
4	200233	LOCK	1		29				
5	200234	FASTENING FORK	1		30				
6	200235	DASH MAT	1		31				
7	200236	SUPPORT	1		32	700115	LOCK WASHER 6,1	3	
8	200237	SUPPORT	1		33				
9					34				
10					35				
11	200254	COWL SUPPORT	1		36	700295	SCREW 3,9-16	5	
12					37				
13					38				
14	200253	ELECTRIC TABLE CPL. /incl. 1, 4, 5, 15, 43 /	1		39	700422	SCREW 4,8-12	1	
15	300115	HINGE PIN	1		40				
16					41				
17					42	700425	SCREW M6-14	2	
18					43	700438	RETAINER RING	1	
19	240103	SHIELD	1		44				
20	240104	SUPPORT	1		45	700449	SCREW	4	
21					46	710151	GROMMET 24-1,8	1	
22					47				
23					48				
24					49				
25					50				

BODY ATTACHMENTS – REAR



NO	PART NO.	DESCRIPTION	REQ	EFFECTIVE from car to car	NO	PART NO.	DESCRIPTION	REQ	EFFECTIVE from car to car
1					26	700108	NUT M6	6	
2					27	700114	BOLT M6-25	4	
3	100761	STRIP	2		28	700115	LOCK WASHER 6,1	6	
4	100774	MUD FLAP LEFT	2		29	700118	NUT M10	2	
5	100775	MUD FLAP RIGHT	1		30	700121	BOLT M10-40	4	
6	100235	BRACKET - LEFT	1		31	700123	LOCK WASHER 10,2	2	
7	100236	BRACKET - RIGHT	1		32				
8					33	700247	FLAT WASHER 10,5	2	
9					34	700269	LOCK WASHER 10,2	4	
10	240127	SEAT BACK SUPPORT	2		35	700282	NUT M10	4	
11					36	700297	BOLT M6-16	6	
12					37				
13					38	700301	FLAT WASHER 6,5	4	
14					39	700352	FLAT WASHER 10,5	8	
15					40				
16					41	700453	BOLT M10-30	2	
17					42				
18					43	710114	BOLT M6-14	4	
19					44				
20					45				
21					46				
22					47				
23					48				
24					49				
25					50				

36V BATTERY FIXATION



GA'98

NO	PART NO.	DESCRIPTION	REQ		NO	PART NO.	DESCRIPTION	REQ	
			from car	to car				from car	to car
1					26				26
2					27				27
3	300631	RUBBER WASHER	4		28				28
4	300632	HOLD DOWN	4		29				29
5					30				30
6					31	700106	NUT M8	4	31
7					32				32
8					33				33
9					34				34
10					35				35
11					36				36
12					37				37
13					38	700190	FLAT WASHER	4	38
14					39				39
15					40				40
16					41				41
17					42				42
18					43				43
19					44				44
20					45				45
21	510349	"J" BOLT	4		46				46
22					47				47
23					48				48
24					49				49
25					50				50

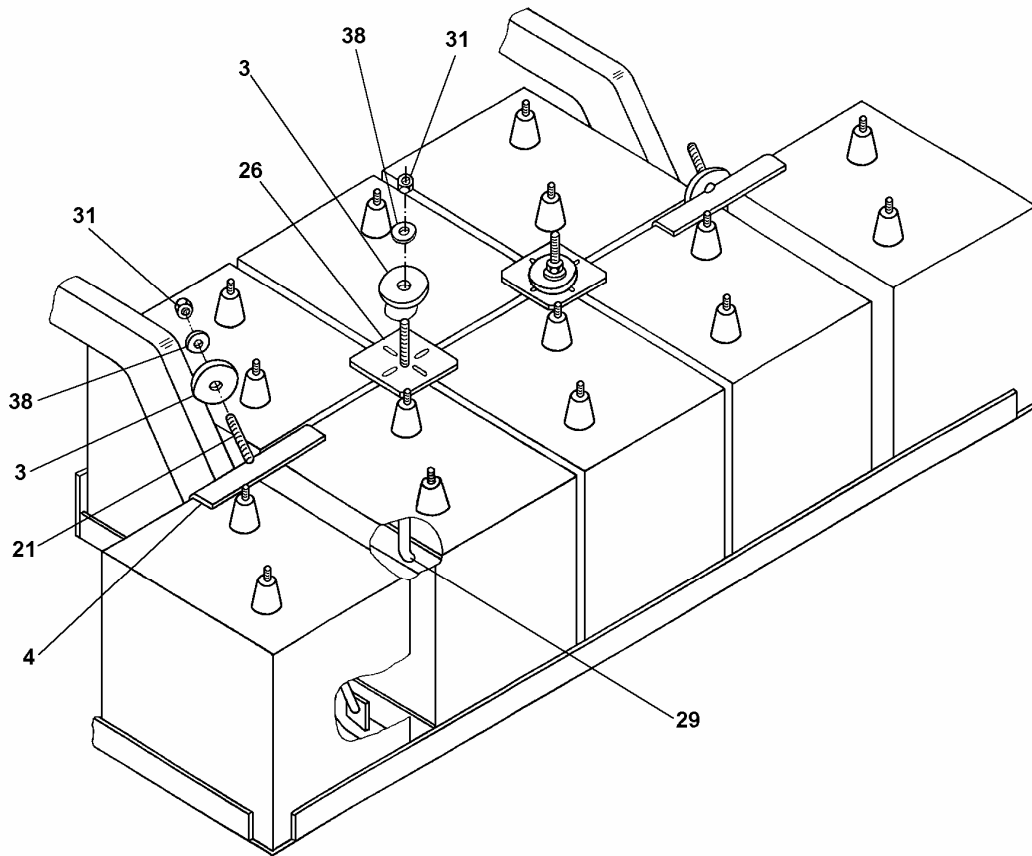
Model: 2xx 36V

32A

Od:

Do:

48V BATTERY FIXATION



GA'98

NO	PART NO.	DESCRIPTION	REQ	EFFECTIVE		NO	PART NO.	DESCRIPTION	REQ	EFFECTIVE	
				from car	to car					from car	to car
1						26	540125	BLOCK	2		
2						27					
3	300631	RUBBER WASHER	4			28					
4	300632	HOLD DOWN	4			29	540460	" J " BOLT /incl. 31/	2		
5						30					
6						31	700106	NUT M8	4		
7						32					
8						33					
9						34					
10						35					
11						36					
12						37					
13						38	710138	FLAT WASHER 10,5	4		
14						39					
15						40					
16						41					
17						42					
18						43					
19						44					
20						45					
21	510349	" J " BOLT /incl. 31/	2			46					
22						47					
23						48					
24						49					
25						50					

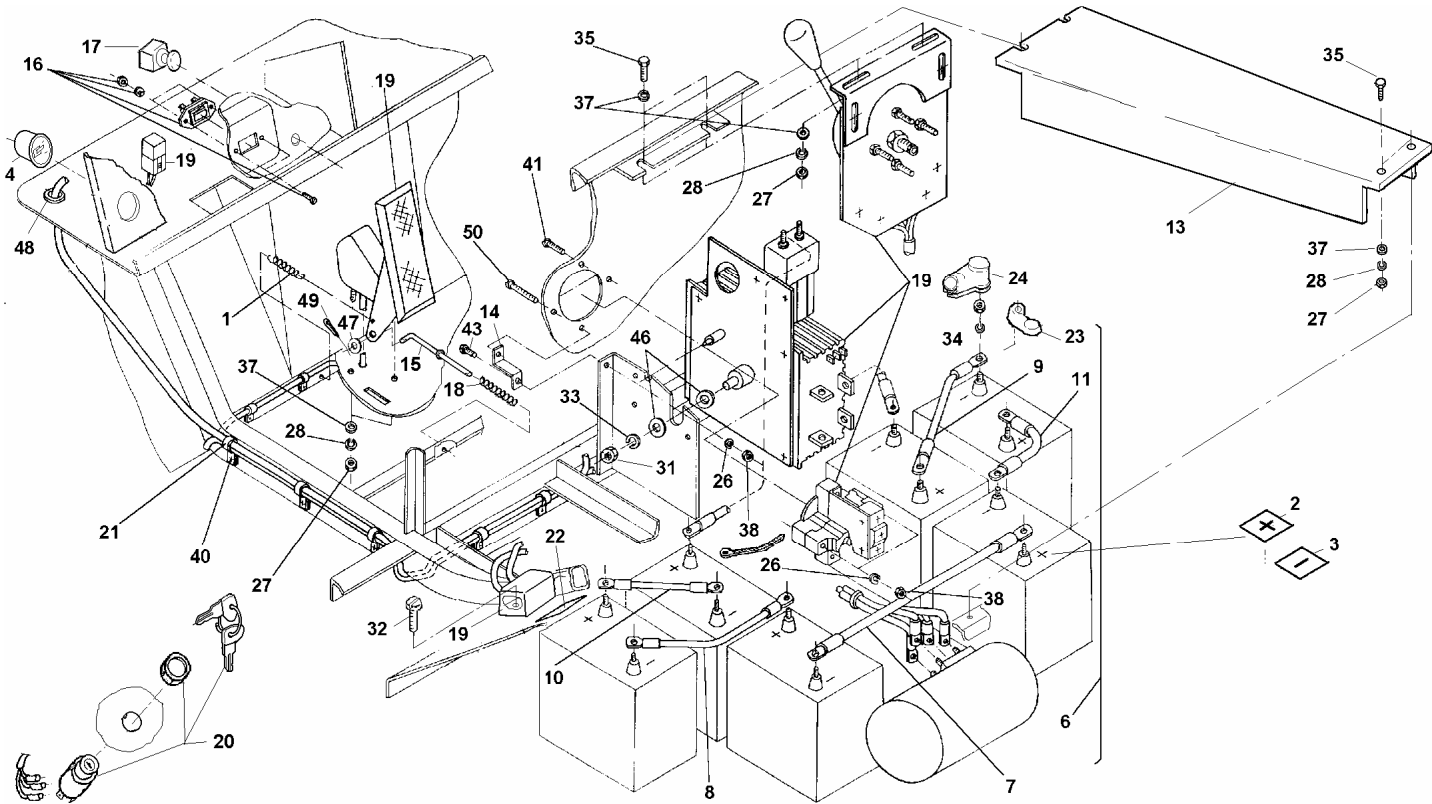
Model: 2xx 48V

32B

Od:

Do:

DRIVE INSTALLATION 36V



NO	PART NO.	DESCRIPTION	REQ	EFFECTIVE from car to car	NO	PART NO.	DESCRIPTION	REQ	EFFECTIVE from car to car
1	310257	SPRING	1		26	700103	LOCK WASHER 5,1	6	
2	627395	DECAL „-“	6		27	700108	NUT M6	4	
3	627396	DECAL „+“	6		28	700115	LOCK WASHER 6,1	4	
4	540477	HOURMETER	1		29				
5					30				
6	510101	CABLE KIT /incl. 7 - 11, 24/	1		31	700118	NUT M10	1	
7	510102	CABLE	1		32				
8	510103	CABLE	1		33	700123	LOCK WASHER 10,2	1	
9	510104	CABLE	1		34	700128	LOCK WASHER 8,2	12	
10	510105	CABLE	1		35	700132	BOLT M6-20	2	
11	510106	CABLE	1		36				
12					37	700228	FLAT WASHER 6,5	6	
13	510458	SHIELD	1	07-'05	38	700242	NUT M5	6	
14	510112	BRACKET	1		39				
15	627565	PUSH ROD	1	05-'06	40	700381	SCREW 4,2-13	7	
16	510167	BATTERY INDICATOR	1		41	700383	SCREW M5-30	1	
17	510280	BLOCKADE BUTTON	1		42				
18	627564	SPRING	1	05-'06	43	700401	BOLT M5-12	1	
19	510333	DRIVE INSTALATION ASSY 36V / in side 34A /	1		44				
20	627557	KEY SWITCH ASSY	1	198381 12-'06	45				
21	510351	CLIP	7		46	710138	FLAT WASHER 10,5	2	
22	627534	BATTERY CONECT DECAL	1		47	700226	FLAT WASHER 8,4		05-'06
23	510437	BATTERY STUD COVER	12		48	710151	GROMMET	1	
24	510395	TERMINAL COVER	12		49	700200	COTTER PIN S2-22		05-'06
25					50	710222	SCREW M5-50	2	

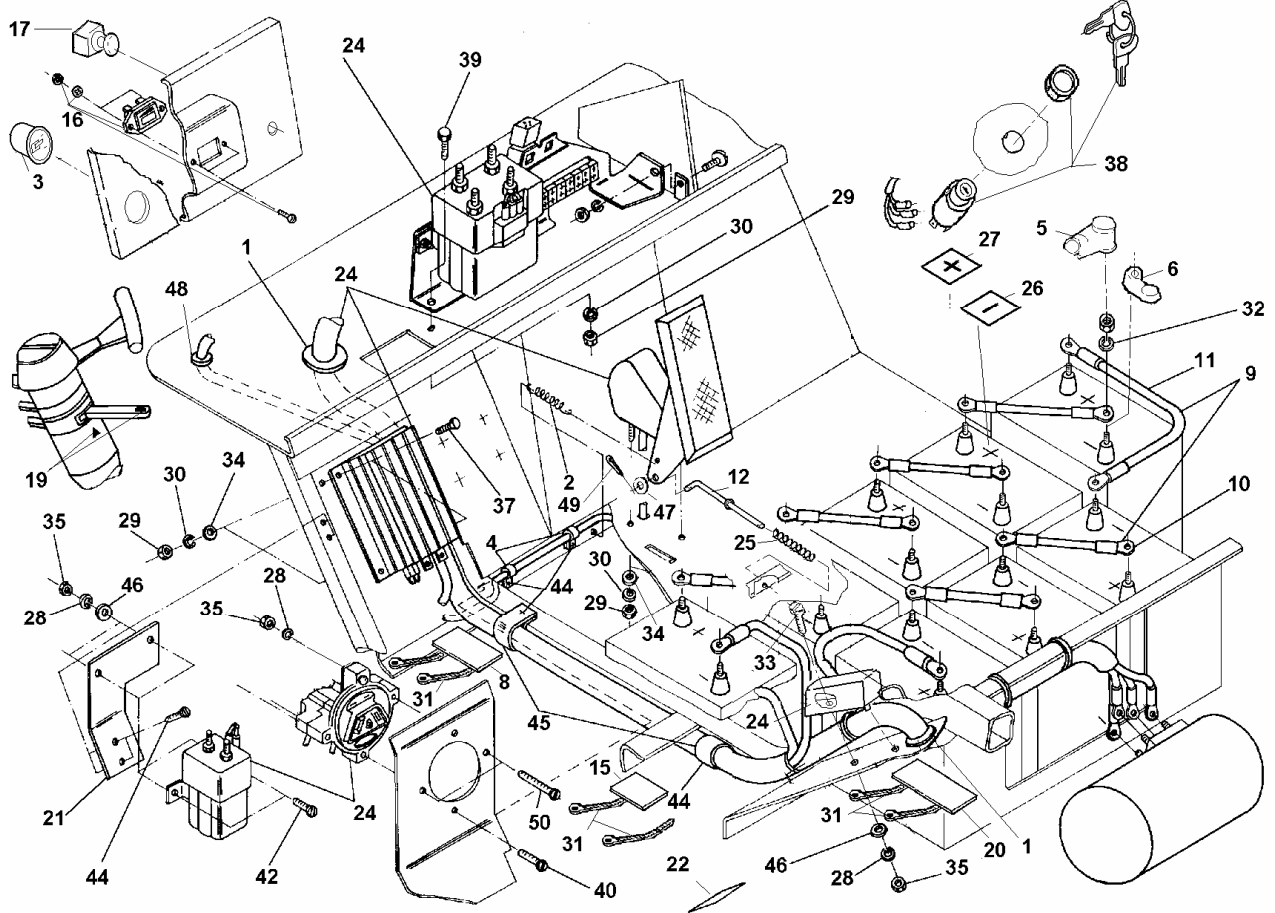
Model: 2xx 36V

33A

From:

To:
05-2007

DRIVE INSTALLATION 48V



NO	PART NO.	DESCRIPTION	REQ	EFFECTIVE from car to car	NO	PART NO.	DESCRIPTION	REQ	EFFECTIVE from car to car
1	110146	GROMMET	2		26	627395	DECAL „-“	8	
2	310257	SPRING	1		27	627396	DECAL „+“	8	
3	540477	HOURMETER	1		28	700103	LOCK WASHER 5,1	7	
4	510331	CLIP	2		29	700108	NUT M6	5	
5	510437	BATTERY STUD COVER	12		30	700115	LOCK WASHER 6,1	5	
6	510395	TERMINAL COVER	12		31	500261	PLASTIC CLIP 20/5	9	
7	540110	FUSE 200A	1		32	700128	LOCK WASHER 8,2	20	
8	250114	GUARD	1		33	700173	SCREW M5-25	1	
9	540141	CABLE ASSY /incl. 10, 11 /	1		34	700228	FLAT WASHER 6,5	2	
10	540142	CABLE	6		35	700242	NUT M5	7	
11	540143	CABLE	1		36	700266	FLAT WASHER 8,4	6	
12	627565	PUSH ROD	1	05-'06	37	700297	BOLT M6-16	2	
13	540174	BOLT	2		38	627557	KEY SWITCH ASSY	1	198381 12-'06
14	540175	FLAT WASHER	2		39	700329	BOLT M6-14	1	
15	250115	GUARD	1		40	700383	SCREW M5-30	1	
16	540269	BATTERY INDICATOR	1		41				
17	510280	BLOCKADE BUTTON	1		42	700433	SCREW M5-12	2	
18	540344	SPACER	2		43	700440	NUT M8	4	
19	540383	PLATE F - R	1		44	700449	SCREW 4,8-16	6	
20	250116	GUARD	1		45	700454	CLIP	2	
21	540462	BRACKET	1		46	700455	FLAT WASHER 5,5	4	
22	540463	PLATE BATTERY	1		47	700226	FLAT WASHER 8,4		05-'06
23	540464	BRACKET	1		48	710151	GROMMET	1	
24	250117	DRIVE INSTALATION ASSY 48V / in side 34B /	1		49	700200	COTTER PI S2-22		05-'06
25	627564	SPRING	1	05-'06	50	710222	SCREW M5-50	2	

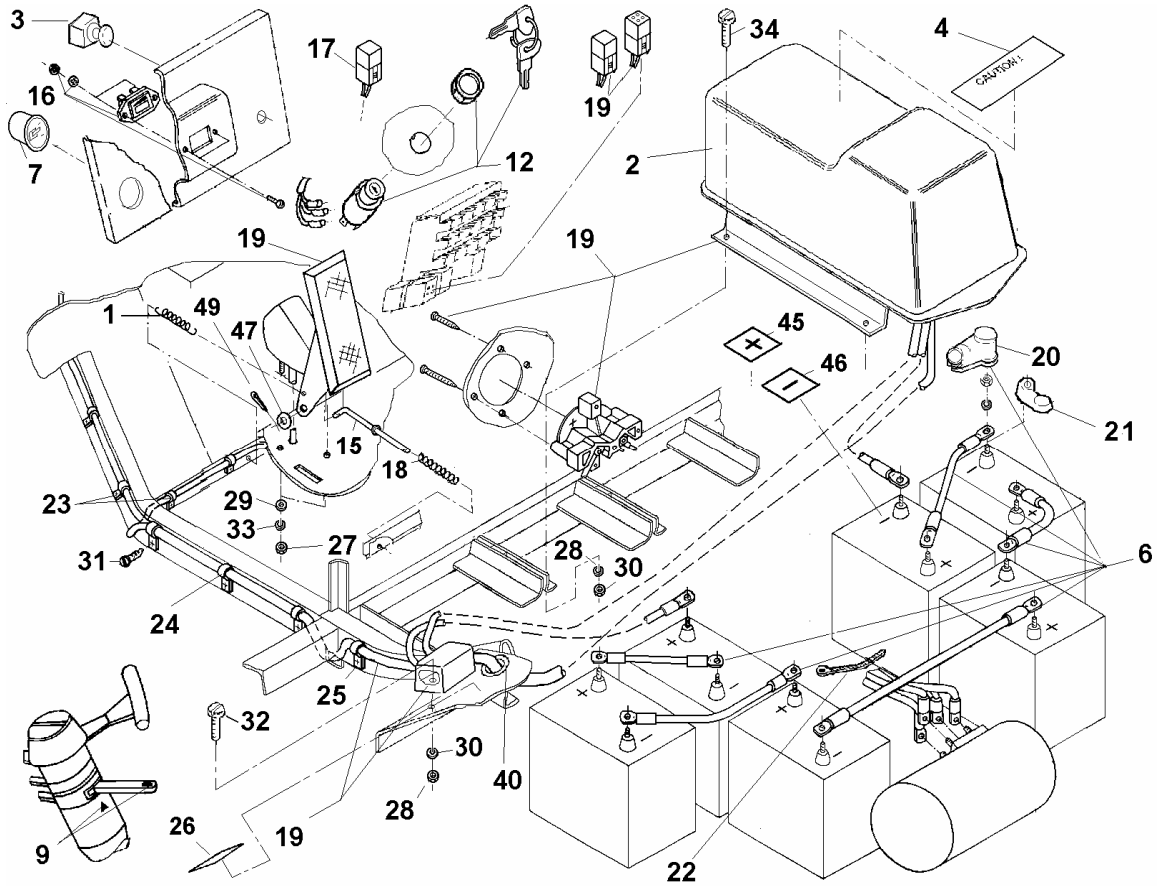
Model: 2xx 48V

33B

From:

To:

DRIVE ELECTRIC INSTALLATION 36V SEP EX



NO	PART NO.	DESCRIPTION	REQ	EFFECTIVE from car to car	NO	PART NO.	DESCRIPTION	REQ	EFFECTIVE from car to car
1	310257	SPRING	1		26	627534	BATTERY CONECT DECAL	1	
2	510422	SEPEX COVER	1		27	700108	NUT M6	2	
3	510280	BLOCKADE BUTTON	1		28	700242	NUT M5	5	
4	510445	CAUTION DECAL	1		29	700228	WASHER 6,5	2	
5					30	700331	WASHER SPRING 5,1	5	
6	540456	BATTERY CABLE KIT /incl. 20, 22/	1		31	700457	SCREW 4,2-13	6	
7	540477	HOURMETER	1		32	700173	SCREW M5-25	1	
8					33	700115	WASHER SPRING 6,1	1	
9	540383	PLATE F - R	1		34	710195	BOLT M5-18	4	
10					35				
11					36				
12	627557	KEY SWITCH ASSY	1	198381 12-06	37				
13					38				
14					39				
15	627565	PUSH ROD	1	05-06	40	627525	GROMMET B 37/3	2	
16	510167	BATTERY DISCHARGE STATUS INDICATOR 36V	1		41				
17	510447	RELAY ASSY	1		42				
18	627564	SPRING	1	05-06	43				
19	627347	SPEED ADJUSTMENT ASSY 36V SEP EX / in side 34A /	1		44				
20	510395	TERMINAL COVER	12		45	627396	DECAL „+”	6	
21	510437	BATTERY STUD COVER	12		46	627395	DECAL „-”	6	
22	500261	PLASTIC CLIP TK 20/5	4		47	700226	FLAT WASHER 8,4		05-06
23	510331	CLIP	2		48				
24	510351	CLIP	3		49	700200	COTTER PIN S2-22		05-06
25	510332	CLIP	1		50				

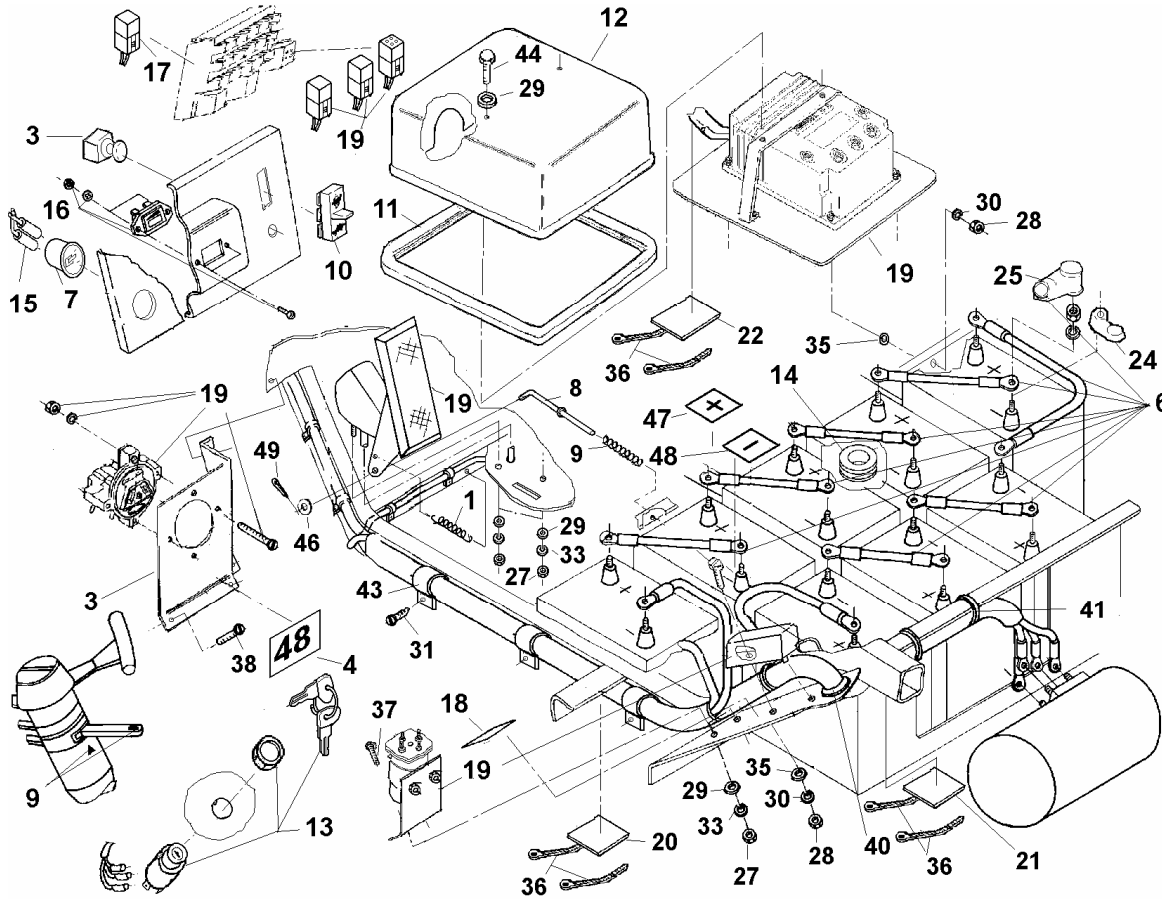
Model: 2xx 36V SepEx

33C

From:

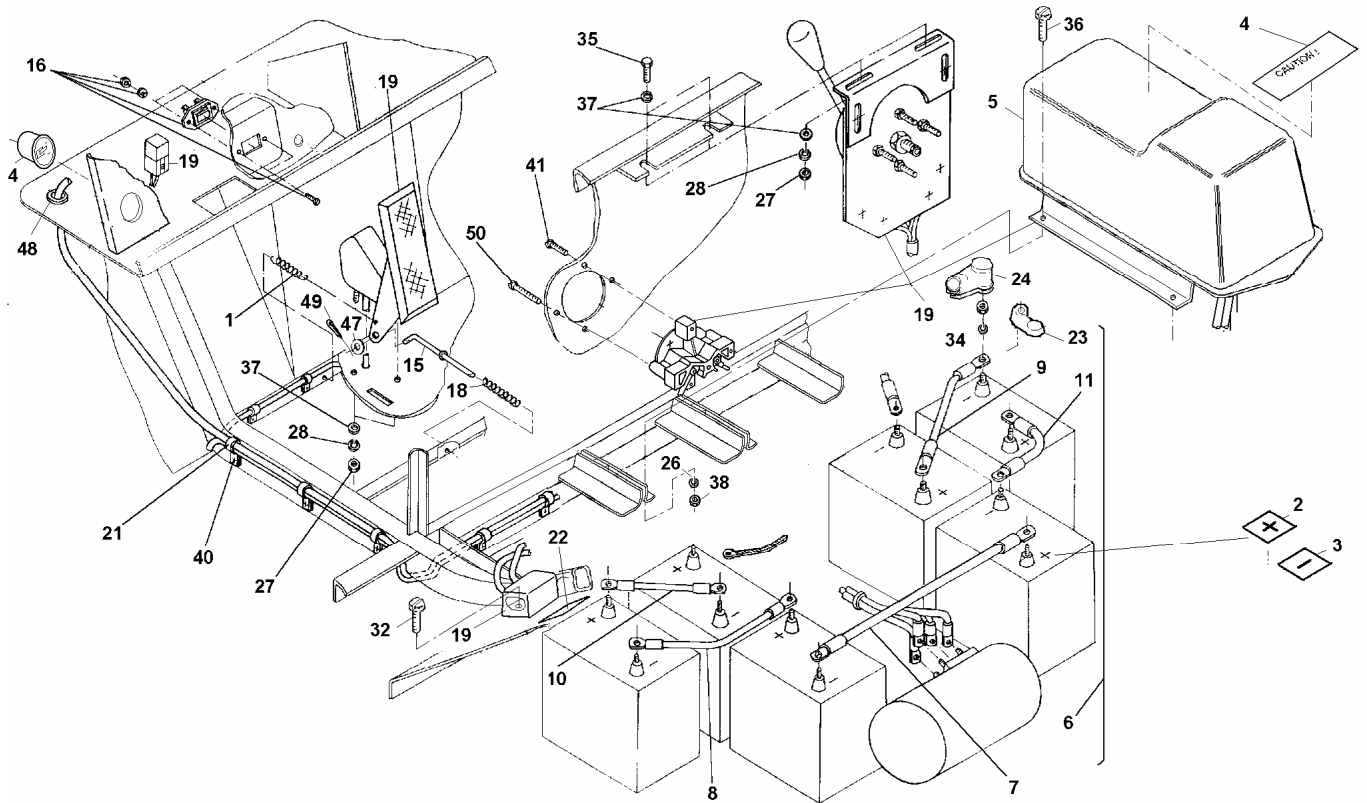
To:

DRIVE ELECTRIC INSTALLATION 48V SEP EX



NO	PART NO.	DESCRIPTION	REQ	EFFECTIVE from car to car	NO	PART NO.	DESCRIPTION	REQ	EFFECTIVE from car to car
1	310257	SPRING	1		26				
2					27	700108	NUT M6	6	
3	540504	BRACKET	1		28	700242	NUT M5	6	
4	540505	DECAL 48V	1		29	700228	WASHER 6,5	4	
5					30	700331	WASHER SPRING 5,1	5	
6	540141	CABLE KIT /incl. 25/	1		31	700457	SCREW 4,2-13	8	
7	540477	HOURMETER	1		32	700173	SCREW M5-25	1	
8	627565	PUSH ROD	1		33	700115	WASHER SPRING 6,1	5	
9	627564	SPRING	1	05-'06	34	710195	BOLT M5-18	2	
10	627485	„HARE-TORTOISE“ SWITCH	1	05-'06	35	700234	WASHER 5, 3	6	
11	627535	SEPEX SHIELD GASKET	1		36	500261	PLASTIC CLIP 20/5	11	
12	540506	SEPEX SHIELD	1		37	710258	BOLT M6-12	2	
13	627557	KEY SWITCH ASSY	1	198381 12-'06	38	700449	SCREW 4,8-16	4	
14	110146	GROMMET	1		39				
15	250127	CABLE	1		40	627525	GROMMET B 37/3	2	
16	540269	BATTERY DISCHARGE STATUS INDICATOR 48V	1		41	500261	PLASTIC CLIP	4	
17	510447	RELAY ASSY	1		42	510331	CLIP	2	
18	540428	BATTERY CONECT DECAL	1		43	510332	CLIP	6	
19	250120	SPEED ADJUSTMENT ASSY 48V SEPEX / in side 34D /	1		44	700433	SCREW M5-12	2	
20	250114	GUARD	1		45	710195	BOLT M5-18	4	
21	250115	GUARD	1		46	700226	FLAT WASHER 8,4		05-'06
22	250116	GUARD	1		47	627396	DECAL „+“	8	
23	510280	BLOCKADE BUTTON	1		48	627395	DECAL „-“	8	
24	510437	BATTERY STUD COVER	16		49	700200	COTTER PI S2-22		05-'06
25	510395	TERMINAL COVER	16		50				

DRIVE INSTALLATION 36V



NO	PART NO.	DESCRIPTION	REQ	EFFECTIVE from car to car	NO	PART NO.	DESCRIPTION	REQ	EFFECTIVE from car to car
1	310257	SPRING	1		26	700103	LOCK WASHER 5,1	2	
2	627395	DECAL „-“	6		27	700108	NUT M6	4	
3	627396	DECAL „+“	6		28	700115	LOCK WASHER 6,1	4	
4	510445	CAUTION DECAL	1		29				
5	510422	SEPEX COVER	1	05-'07	30				
6	510101	CABLE KIT /incl. 7 - 11, 24/	1	05-'07	31				
7	510102	CABLE	1		32				
8	510103	CABLE	1		33				
9	510104	CABLE	1		34	700128	LOCK WASHER 8,2	12	
10	510105	CABLE	1		35	700132	BOLT M6-20	2	
11	510106	CABLE	1		36	710195	BOLT M5-18	4	
12					37	700228	FLAT WASHER 6,5	6	05-'07
13					38	700242	NUT M5	2	
14					39				
15	627565	PUSH ROD	1	05-'06	40	700381	SCREW 4,2-13	7	
16	510167	BATTERY INDICATOR	1		41	700383	SCREW M5-30	1	
17					42				
18	627564	SPRING	1	05-'06	43				
19	250130	DRIVE INSTALATION ASSY 36V / in side 34E /	1	05-'07	44				
20					45				
21	510351	CLIP	7		46				
22	627534	BATTERY CONECT DECAL	1		47	700226	FLAT WASHER 8,4		05-'06
23	510437	BATTERY STUD COVER	12		48	710151	GROMMET	1	
24	510395	TERMINAL COVER	12		49	700200	COTTER PIN S2-22		05-'06
25					50	710222	SCREW M5-50	2	

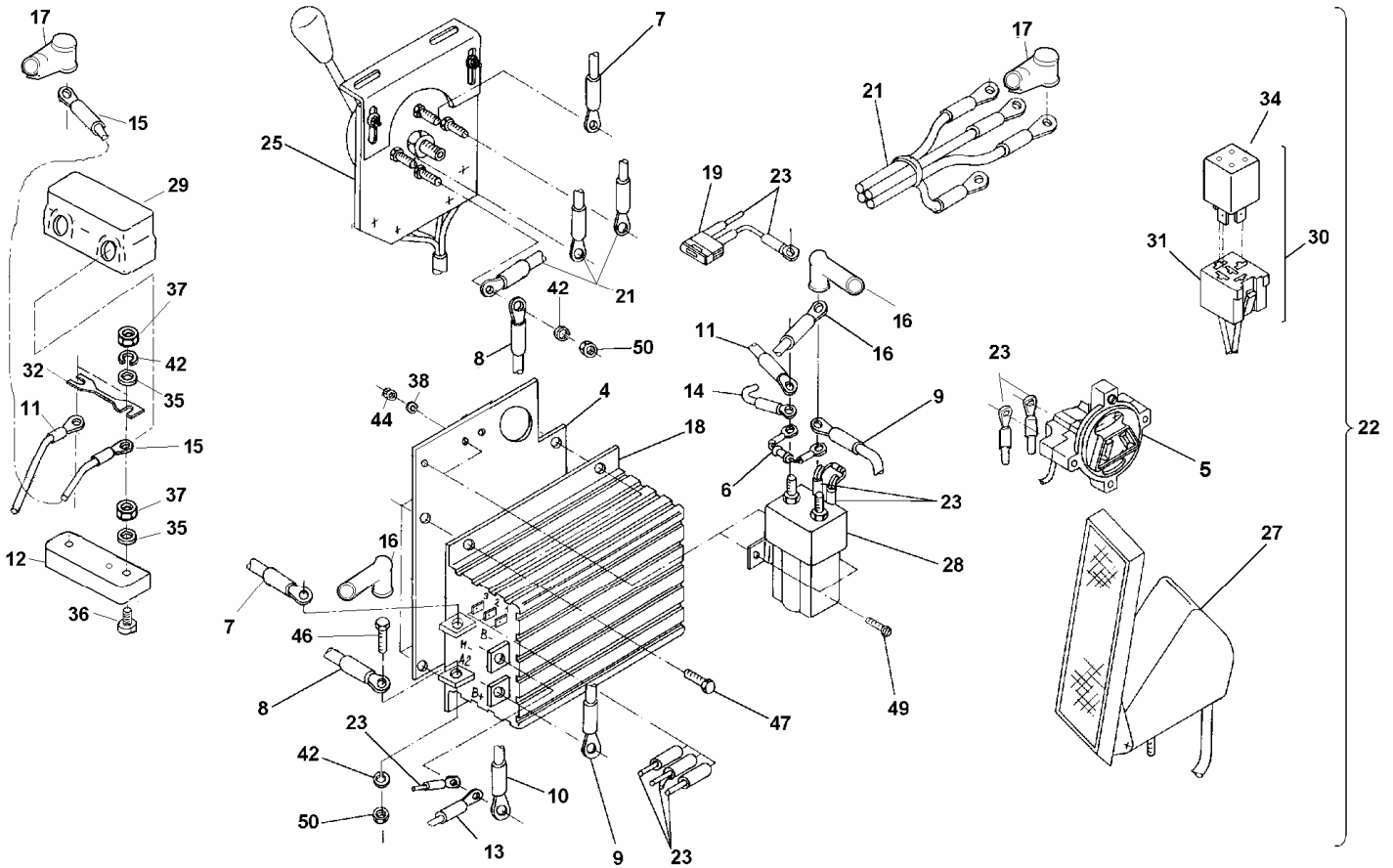
Model: 2xx 36V

33E

From: 05-2007

To:

DRIVE INSTALATION ASSY 36V



NO	PART NO.	DESCRIPTION	REQ	EFFECTIVE from car to car	NO	PART NO.	DESCRIPTION	REQ	EFFECTIVE from car to car
1					26	540175	WASHER	2	
2					27	540319	POT BOX	1	
3					28	540320	CONTACTOR SW 80-746P	1	
4	500160	BRACKET	1		29	510438	FUSE SHIELD	1	
5	510376	CHARGER RECEPTACLE	1		30	540337	REVERSE WARNING DEVICE ASSY / incl. 31, 34 /	1	
6	510115	RESISTOR ASSY	1		31	540338	CABLE ASSY	1	
7	510117	CABLE	1		32	540110	FUSE 200A	1	
8	510118	CABLE	1		33	540174	BOLT	2	
9	510119	CABLE	1		34	627383	REVERSE WARNING DEVICE HR-151	1	
10	250111	CABLE	1		35	700130	WASHER	4	
11	510360	CABLE	1		36	710259	BOLT M8-25	2	
12	540478	TRUNK FUSE	1		37	710260	NUT M8	4	
13					38	700103	LOCK WASHER 5,1	2	
14					39	700108	NUT M6	4	
15	250112	CABLE	1		40	700115	LOCK WASHER 6,1	4	
16	510421	RUBBER COVER			41				
17	510395	RUBBER COVER	8		42	700128	LOCK WASHER 8,2	14	
18	510154	CONTROLLER 1204-017 - 36V	1		43				
19	510278	FUSE 7,5A	1	05-'05	44	700242	NUT M5	2	
20					45	700266	FLAT WASHER 8,4	6	
21	250113	CABLE KIT	1		46	700310	BOLT M8-16	4	
22	510333	DRIVE INSTALATION ASSY 36V	1		47	700329	BOLT M6-14	4	
23	250110	CABLE ASSY	1		48				
24	510359	CABLE	1		49	700332	SCREW M5-14	2	
25	540291	F - R SWITCH ASSY / in side 36A /	1		50	700440	NUT M8	12	

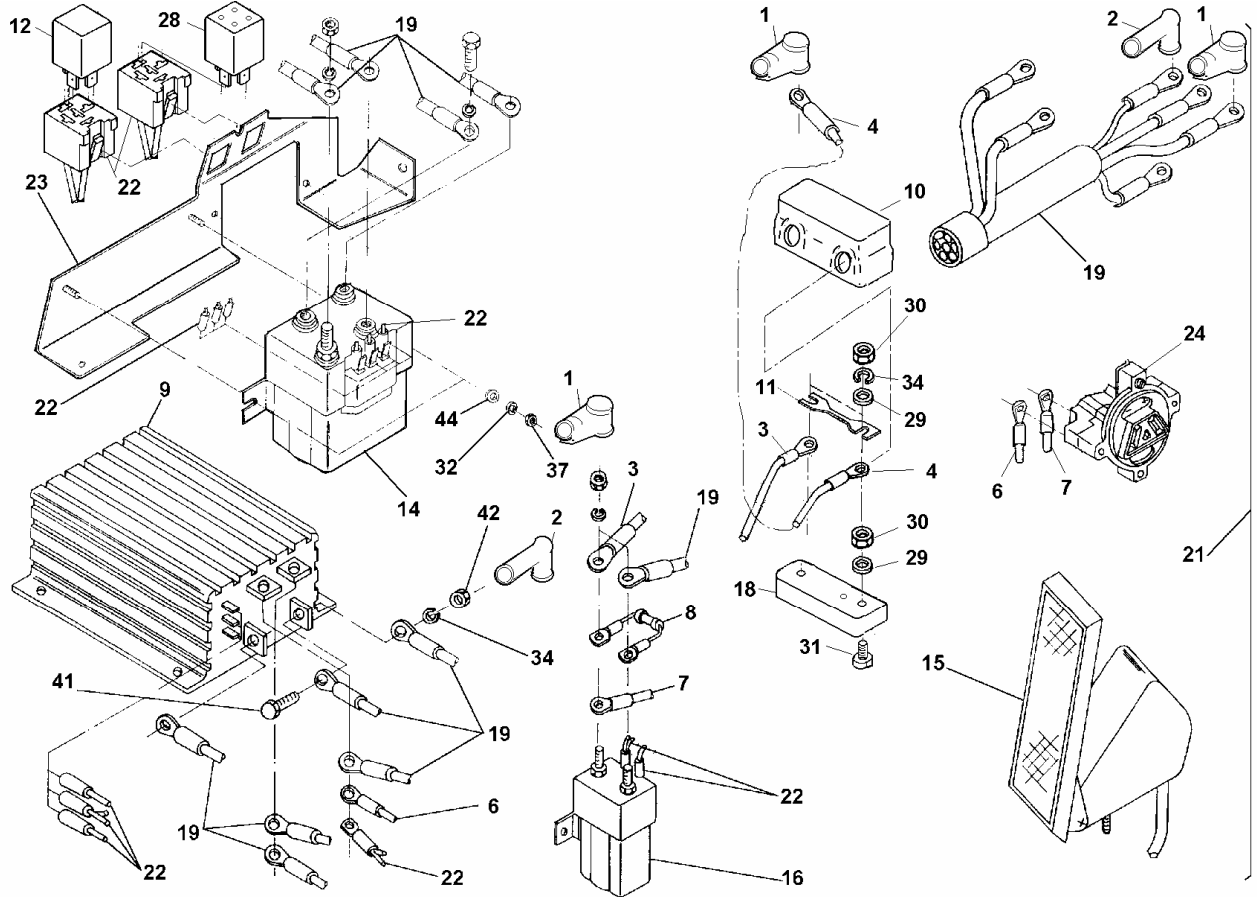
Model: 2xx 36V

34A

From:

To:
05-2007

DRIVE INSTALLATION ASSY 48V



NO	PART NO.	DESCRIPTION	REQ	EFFECTIVE from car to car	NO	PART NO.	DESCRIPTION	REQ	EFFECTIVE from car to car
1					26				
2					27				
3	627526	CABLE	1		28	550034	REVERSE WARNING DEVICE	1	
4	627531	CABLE	1		29	700130	HR-151 WASHER	4	
5					30	710260	NUT	4	
6	540471	CABLE	1		31	710259	BOLT	2	
7	540470	CABLE	1		32	700103	M8-25 LOCK WASHER	2	
8	510115	RESISTOR ASSY	1		33				
9	540116	1204-017 - 36V CONTROLLER	1		34	700128	8,2 LOCK WASHER	6	
10	510438	FUSE SHIELD	1		35	700164	3,1 LOCK WASHER	8	
11	540110	200A FUSE	1		36				
12	540492	HR 350 DIODE ASSY	1		37	700242	M5 NUT	2	
13	540238	/ incl. 3 / FUSE SOCKET	1		38	700268	4,1 LOCK WASHER	2	
14	540318	DC 88-295P CONTACTOR	1		39	700288	M4 NUT	2	
15	540319	POT BOX	1		40				
16	540320	SW 80-746P CONTACTOR	1		41	700310	M8-16 BOLT	4	
17	540321	DIODE ASSY	1		42	700440	M8 NUT	4	
18	540478	FUSE TRUNK	1		43	700441	M3-8 SCREW	8	
19	250119	CABLE ASSY	1		44	700455	5,5 FLAT WASHER	2	
20	540385	DIODE ASSY	1		45				
21	250117	DRIVE INSTALLATION ASSY 48V	1		46				
22	250118	CABLE ASSY	1		47	710223	3,2 FLAT WASHER	4	
23	540468	BRACKET	1		48				
24	510376	HR-200 CHARGER RECEPTACLE	1		49	710226	5 TERMINAL STRIP	1	
25					50				

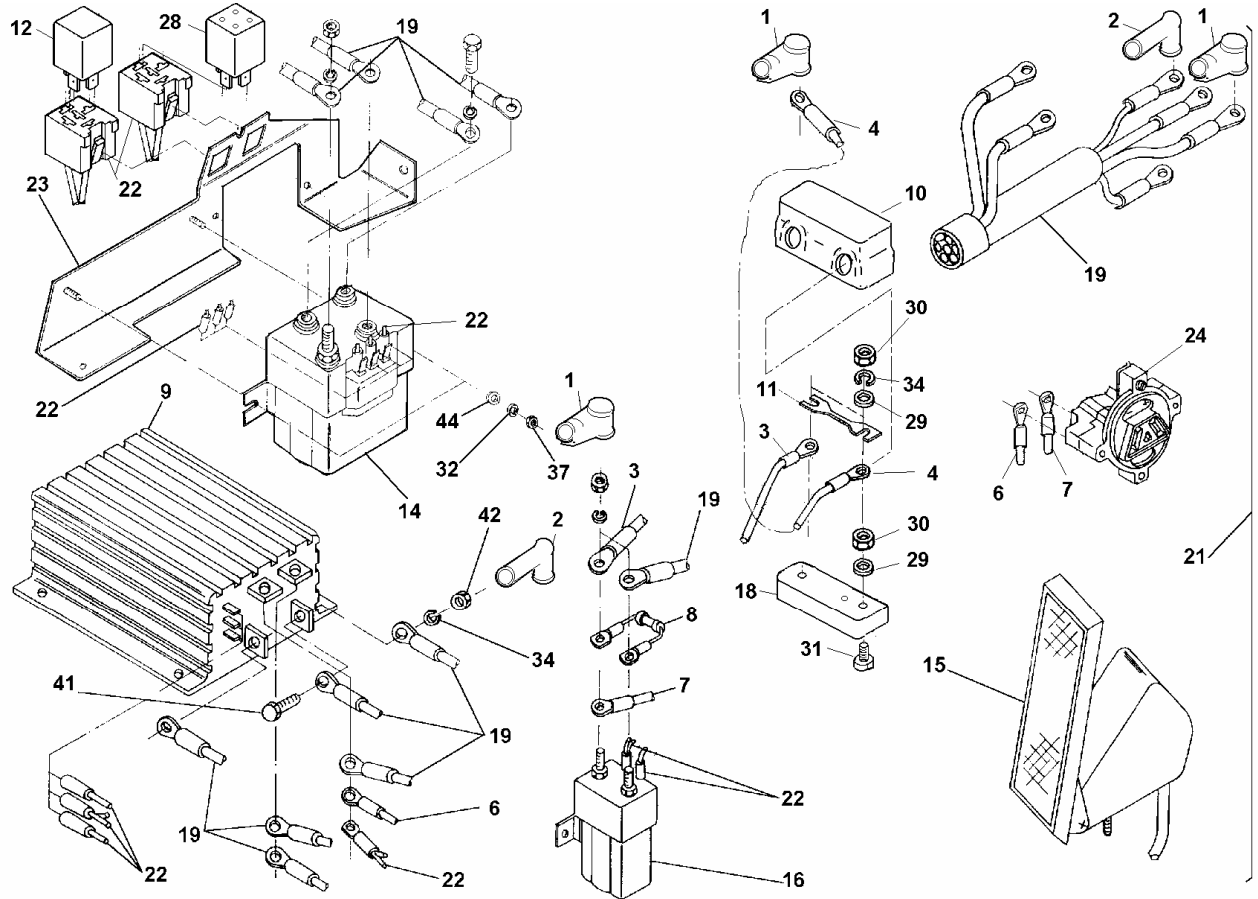
Model: 2xx 48V

34B

From:

To:

DRIVE INSTALLATION ASSY 48V



NO	PART NO.	DESCRIPTION	REQ	EFFECTIVE from car to car	NO	PART NO.	DESCRIPTION	REQ	EFFECTIVE from car to car
1					26				
2					27				
3	627526	CABLE	1		28	550034	REVERSE WARNING DEVICE	1	
4	627531	CABLE	1		29	700130	HR-151 WASHER	4	
5					30	710260	NUT	4	
6	540471	CABLE	1		31	710259	BOLT	2	
7	540470	CABLE	1		32	700103	M8-25 LOCK WASHER	2	
8	510115	RESISTOR ASSY	1		33				
9	540116	1204-017 - 36V CONTROLLER	1		34	700128	8,2 LOCK WASHER	6	
10	510438	FUSE SHIELD	1		35	700164	3,1 LOCK WASHER	8	
11	540110	200A FUSE	1		36				
12	540492	HR 350 DIODE ASSY	1		37	700242	M5 NUT	2	
13	540238	/ incl. 3 / FUSE SOCKET	1		38	700268	4,1 LOCK WASHER	2	
14	540318	DC 88-295P CONTACTOR	1		39	700288	M4 NUT	2	
15	540319	POT BOX	1		40				
16	540320	SW 80-746P CONTACTOR	1		41	700310	M8-16 BOLT	4	
17	540321	DIODE ASSY	1		42	700440	M8 NUT	4	
18	540478	FUSE TRUNK	1		43	700441	M3-8 SCREW	8	
19	250119	CABLE ASSY	1		44	700455	5,5 FLAT WASHER	2	
20	540385	DIODE ASSY	1		45				
21	250117	DRIVE INSTALLATION ASSY 48V	1		46				
22	250118	CABLE ASSY	1		47	710223	3,2 FLAT WASHER	4	
23	540468	BRACKET	1		48				
24	510376	HR-200 CHARGER RECEPTACLE	1		49	710226	5 TERMINAL STRIP	1	
25					50				

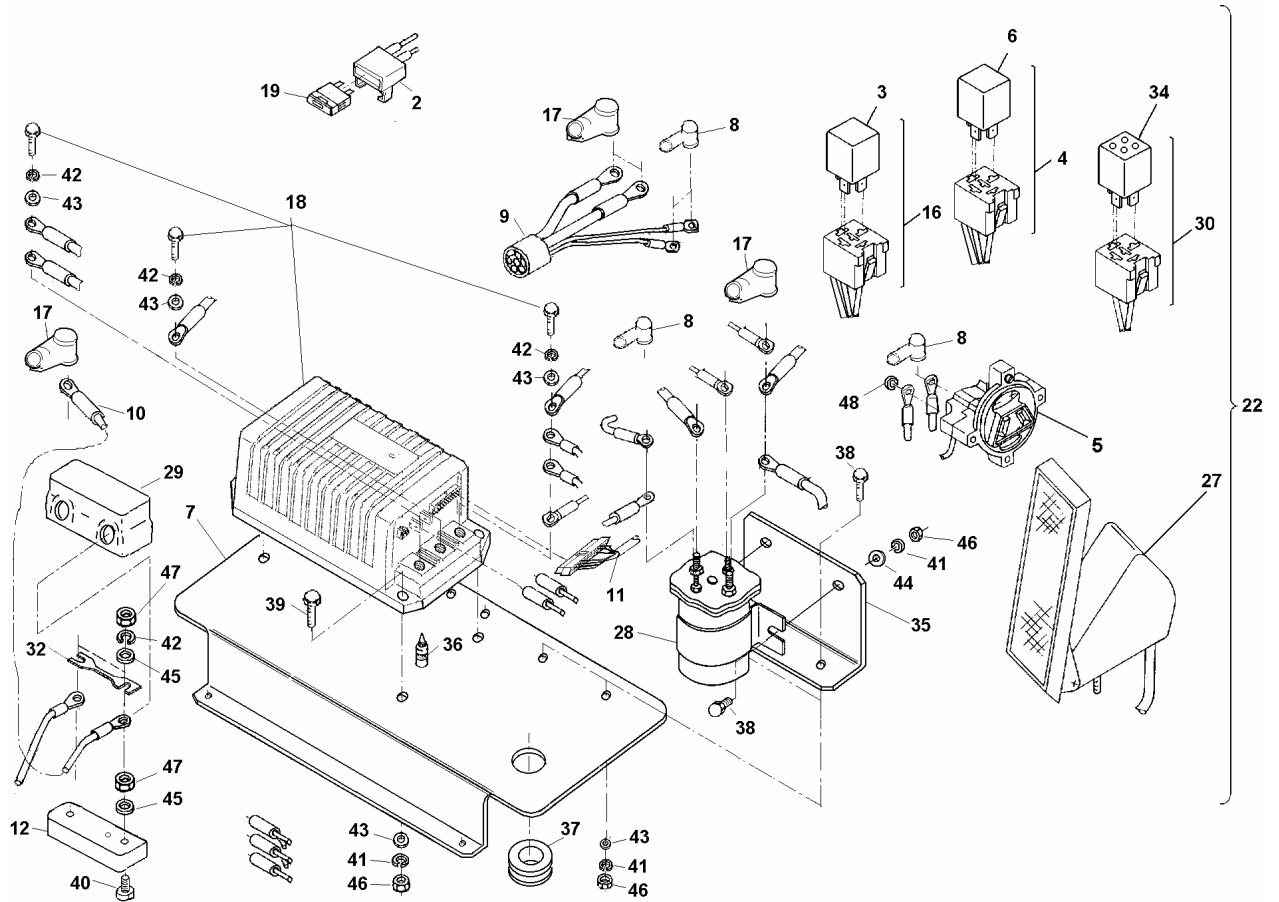
Model: 2xx 48V

34B

From:

To:

SPEED ADJUSTMENT ASSY 36V SEP EX



NO	PART NO.	DESCRIPTION	REQ	EFFECTIVE from car to car	NO	PART NO.	DESCRIPTION	REQ	EFFECTIVE from car to car
1					26				
2	510403	FUSE RECEPTACLE	1		27	627385	POT BOX	1	
3	510377	BLOCKADE SYSTEM HR-301	1	05-'05	28	510204	CONTACTOR 586-117111 - 36V	1	
4	510447	RELAY ASSY /incl. 6 /	1		29	510438	FUSE SHIELD	1	
5	510376	CHARGER RECEPTACLE HR-200	1		30	540337	REVERSE WARNING DEVICE ASSY /incl. 34 /	1	
6	510275	RELAY 551/36-48	1		31				
7	627119	BRACKET	1		32	540110	FUSE 200A	1	
8	510421	RUBBER COVER	1		33				
9	627306	POWER CABLE KIT	1		34	627383	REVERSE WARNING DEVICE HR-151	1	
10	627307	FUSE - BATTERY CABLE	1		35	510202	CONTACTOR BRACKET	1	
11	627525	STEERING CABLE KIT	1		36		TO CARRY PAST		
12	540478	FUSE TRUNK	1		37	710151	GROMMET	1	
13					38	700329	BOLT M5-18	4	
14					39	700442	BOLT M5-18	3	
15					40	710259	BRASS BOLT M8-25	2	
16	510410	BLOCKADE SYSTEM ASSY /incl. 3 /	1		41	700115	WASHER SPRING 6,1	7	
17	510395	RUBBER COVER	4		42	700128	WASHER SPRING 8,2	5	
18	510373	CONTROLLER 1243-4320 - 36V	1		43	710146	WASHER 6,4	5	
19	510278	FUSE 7,5A	1	05-'05	44	700228	WASHER 6,5	2	
20					45	700130	BRASS WASHER 8,4	4	
21					46	700108	NUT M6	7	
22	627347	SPEED ADJUSTMENT ASSY 36V SEP EX	cpl		47	710260	BRASS NUT M6	4	
23					48	700331	WASHER SPRING 5,1	2	
24					49				
25					50				

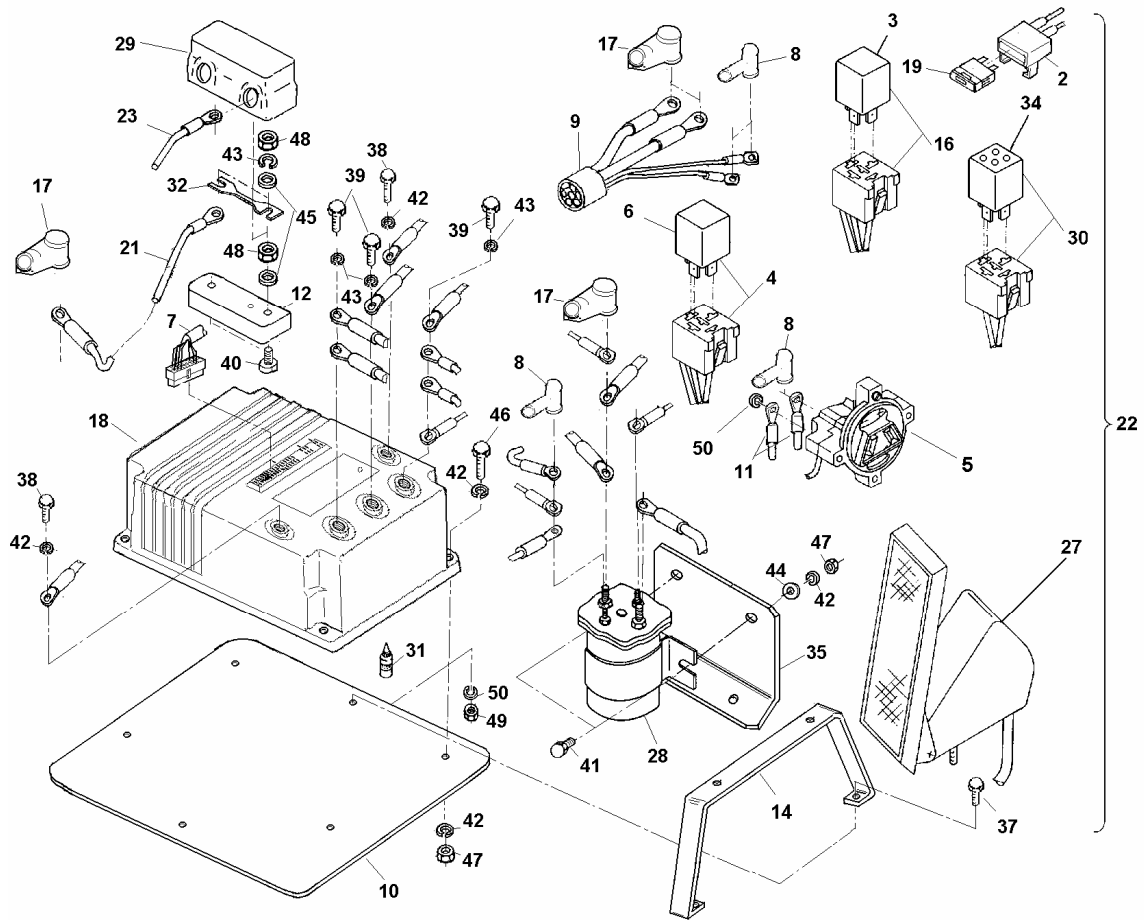
Model: 2xx 36V SepEx

34C

From:

To:

SPEED ADJUSTMENT ASSY 48V SEP EX



NO	PART NO.	DESCRIPTION	REQ	EFFECTIVE from car to car	NO	PART NO.	DESCRIPTION	REQ	EFFECTIVE from car to car
1					26				
2	510403	FUSE RECEPTACLE	1		27	627385	POT BOX	1	
3	510377	BLOCKADE SYSTEM Hr-301	1	05-'05	28	510204	CONTACTOR	1	
4	510447	RELAY ASSY /incl. 6 /	1		29	510438	FUSE SHIELD	1	
5	510376	CHARGER RECEPTACLE HR-200	1		30	250123	REVERSE WARNING DEVICE ASSY /incl. 34 /	1	
6	510275	RELAY 551/36-48	1		31		TO CARRY PAST		
7	250121	STEERING CABLE KIT	1		32	540110	FUSE 200A	1	
8	510421	RUBBER COVER	2		33				
9	250122	POWER CABLE KIT	1		34	627383	REVERSE WARNING DEVICE HR151	1	
10	250126	PLATE	1		35	540501	BRACKET	1	
11	250123	CHARGER RECEPTACLE CABLE KIT	1		36				
12	540478	TRUNK FUSE	1		37	710195	BOLT M5-18	2	
13					38	710258	BOLT M6-12	2	
14	540502	BRACKET	1		39	700310	BOLT M8-16	3	
15					40	710259	BRASS BOLT M8-25	2	
16	510410	BLOCKADE SYSTEM ASSY /incl. 3 /	1		41	700442	BOLT M6-16	2	
17	510395	RUBBER COVER	4		42	700115	WASHER SPRING 6,1	8	
18	540390	CONTROLLER	1		43	700128	WASHER SPRING 8,2	5	
19	510278	FUSE 7,5A	1	05-'05	44	710146	WASHER 6,4	2	
20					45	700130	BRASS WASHER 8,4	4	
21	627531	FUSE - BATTERY CABLE	1		46	700159	BOLT M6-25	4	
22	250127	SPEED ADJUSTMENT ASSY 48V SEP EX	Cpl.		47	700108	NUT M6	6	
23	250124	FUSE - CONTACTOR CABLE	1		48	710260	BRASS NUT M8	4	
24					49	700242	NUT M5	2	
25					50	700331	WASHER SPRING 5,1	4	

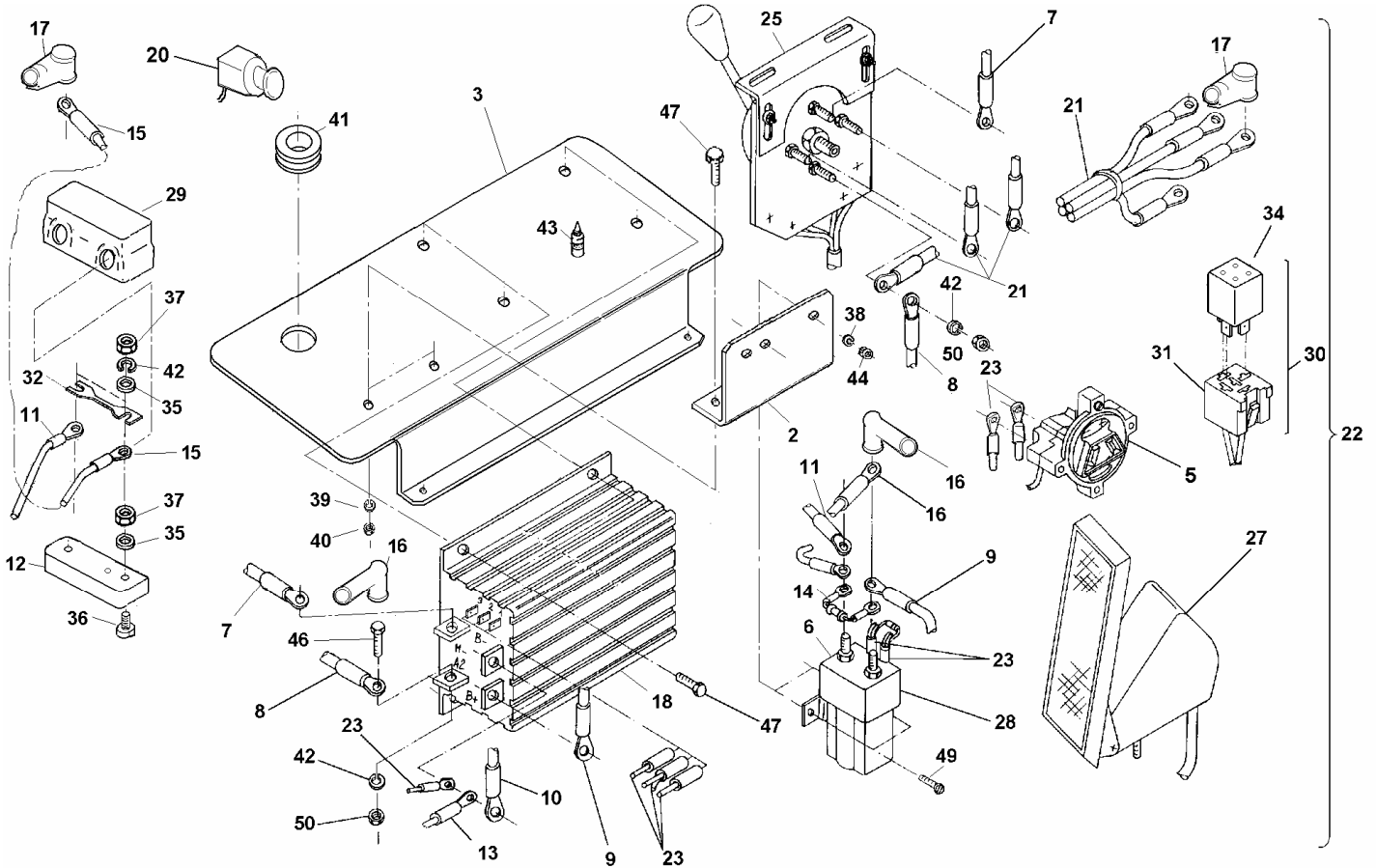
Model: 2xx 48V SepEx

34D

From:

To:

DRIVE INSTALATION ASSY 36V



NO	PART NO.	DESCRIPTION	REQ	EFFECTIVE from car to car	NO	PART NO.	DESCRIPTION	REQ	EFFECTIVE from car to car
1					26	540175	WASHER	2	
2	510202	CONTACTOR BRACKET	1	05-'07	27	540319	POT BOX	1	
3	627119	BRACKET	1	05-'07	28	540320	CONTACTOR SW 80-746P	1	
4					29	510438	FUSE SHIELD	1	
5	510376	CHARGER RECEPTACLE	1		30	540337	REVERSE WARNING DEVICE ASSY / incl. 31, 34 /	1	
6	510115	RESISTOR ASSY	1		31	540338	CABLE ASSY	1	
7	510117	CABLE	1		32	540110	FUSE 200A	1	
8	510118	CABLE	1		33	540174	BOLT	2	
9	510119	CABLE	1		34	627383	REVERSE WARNING DEVICE HR-151	1	
10	250111	CABLE	1		35	700130	WASHER	4	
11	510360	CABLE	1		36	710259	BOLT M8-25	2	
12	540478	TRUNK FUSE	1		37	710260	NUT M8	4	
13					38	700103	LOCK WASHER 5,1	2	
14					39	700108	NUT M6	2	
15	250112	CABLE	1		40	700115	LOCK WASHER 6,1	4	
16	510421	RUBBER COVER	6		41	710151	GROMMET	1	
17	510395	RUBBER COVER	8		42	700128	LOCK WASHER 8,2	14	
18	510154	CONTROLLER 1204-017 - 36V	1		43				
19					44	700242	NUT M5	2	
20	510280	EMERGENCY SWITCH	1		45	700266	FLAT WASHER 8,4	6	
21	250130	CABLE KIT	1	05-'07	46	700310	BOLT M8-16	4	
22	250130	DRIVE INSTALATION ASSY 36V	Cpl.	05-'07	47	700329	BOLT M6-14		
23	250110	CABLE ASSY	1		48				
24	510359	CABLE	1		49	700332	SCREW M5-14	2	
25	540291	F - R SWITCH ASSY / in side 36A /	1		50	700440	NUT M8	12	

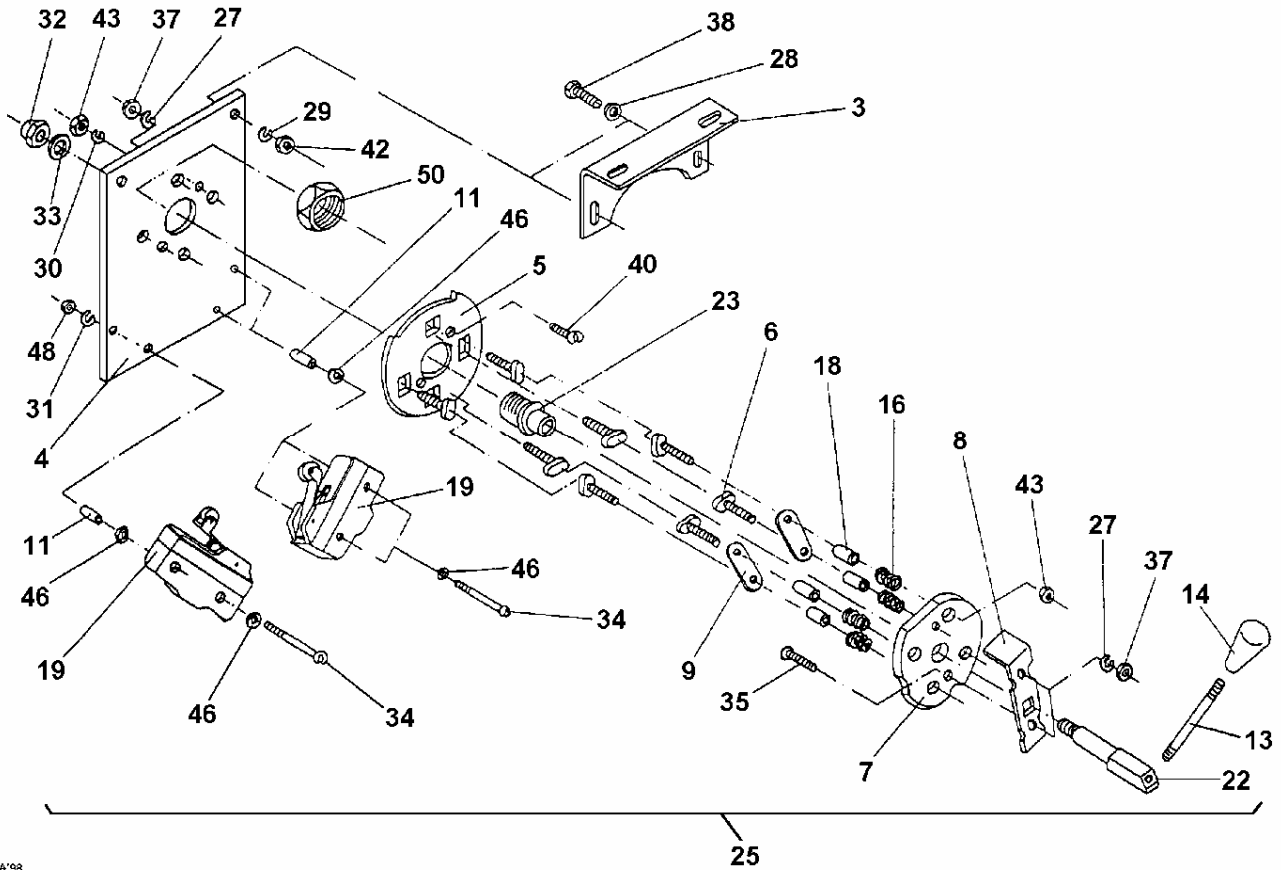
Model: 2xx 36V

34E

From: 05-2007

To:

F - R SWITCH ASSY



GA'88

NO	PART NO.	DESCRIPTION	REQ	EFFECTIVE from car to car	NO	PART NO.	DESCRIPTION	REQ	EFFECTIVE from car to car
1					26				
2					27	700103	LOCK WASHER 5,1	4	
3	300700	BRACKET	1		28	700113	FLAT WASHER 6,4	2	
4	300701	BOARD	1		29	700115	LOCK WASHER 6,1	2	
5	300702	BOARD	1		30	700128	LOCK WASHER 8,2	4	
6	300703	CONTACT STUD	8		31	700164	LOCK WASHER 3,1	4	
7	300704	BOARD	1		32	730141	NUT M10	1	
8	300705	BRACKET	1		33	700175	FLAT WASHER 10,5	1	
9	300706	BUS BAR	2		34	700177	SCREW M3-45	4	
10					35	700178	SCREW M5-20	2	
11	300708	SPACER	4		36				
12					37	700242	NUT M5	4	
13	540475	SPACER	1		38	700297	BOLT M6-16	2	
14	540476	KNOB	1		39				
15					40	700387	SCREW M5-18	2	
16	300715	SPRING	4		41				
17					42	700439	NUT M6	2	
18	300717	SPACER	4		43	700440	NUT M8	8	
19	300718	MICROSWITCH	2		44				
20					45				
21					46	710223	FLAT WASHER 3,2	8	
22	540474	AXLE	1		47				
23	540196	SLEEWE	1		48	730107	NUT M3	4	
24					49				
25	540291	F - R SWITCH ASSY	1		50	800106	NUT	1	

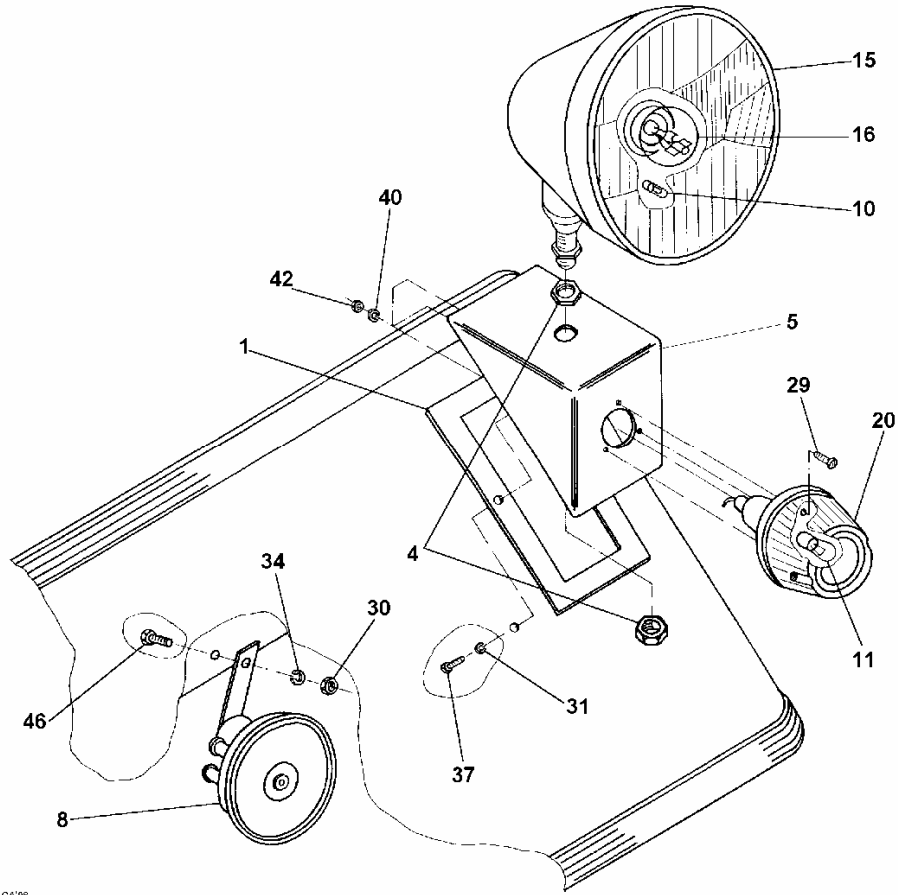
Model:2xx

36A

From:

To:

HEAD LIGHTS AND HORN



GA'98

NO	PART NO.	DESCRIPTION	REQ	EFFECTIVE from car to car	NO	PART NO.	DESCRIPTION	REQ	EFFECTIVE from car to car
1	300670	RUBBER WASHER	2		26				
2					27				
3					28				
4	300680	NUT	4		29	700105	SCREW M4-12	6	
5	300683	BRACKET LIGHT	2		30	700106	NUT M8	1	
6					31	700115	LOCK WASHER 6,1	4	
7					32				
8	300897	HORN	1		33				
9					34	700128	LOCK WASHER 8,2	1	
10	300928	BULB 12V 4W	2		35				
11	300929	BULB 12V 21W	2		36				
12					37	700132	BOLT M6-20	4	
13					38				
14					39				
15	300960	HEAD LIGHT /incl. 10, 16 /	2		40	700268	LOCK WASHER 4,1	6	
16	300961	BULB 12V 45/40W	2		41				
17					42	700288	NUT M4	6	
18					43				
19					44				
20	540317	TURN LIGHT FRONT	2		45				
21					46	700310	BOLT M8-16	1	
22					47				
23					48				
24					49				
25					50				

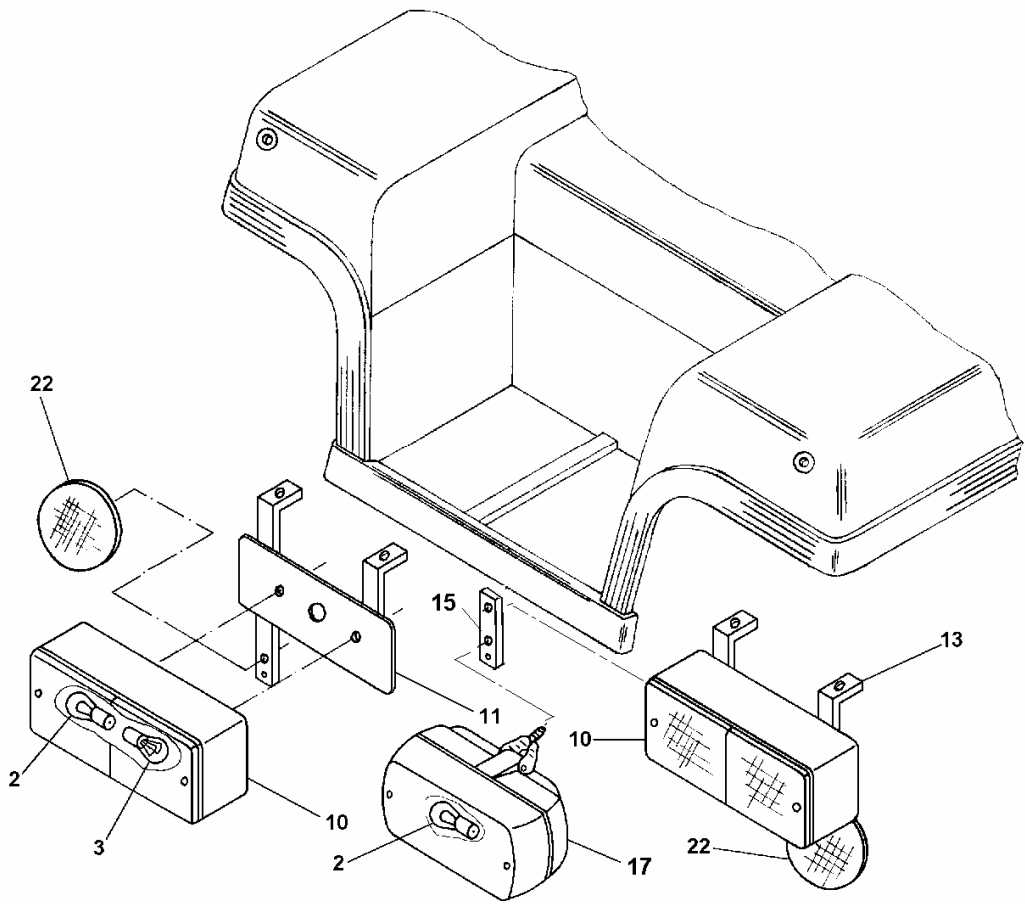
Model: 2xx

43A

From:

To:

TAIL LIGHTS



NO	PART NO.	DESCRIPTION	REQ	EFFECTIVE from car to car	NO	PART NO.	DESCRIPTION	REQ	EFFECTIVE from car to car
1					26				
2	300929	BULB 12V 21W	2		27				
3	300930	BULB 12V 21/5W	2		28				
4					29				
5					30				
6					31				
7					32				
8					33				
9					34				
10	300962	TAIL LIGHT /incl. 2, 3/	2		35				
11	300963	BRACKET LEFT	1		36				
12					37				
13	300965	BRACKET RIGHT	1		38				
14					39				
15	540349	BRACKET	1		40				
16					41				
17	540369	REVERSING LIGHT	1		42				
18					43				
19					44				
20					45				
21					46				
22	300997	REFLECTING ELEMENT	2		47				
23					48				
24					49				
25					50				

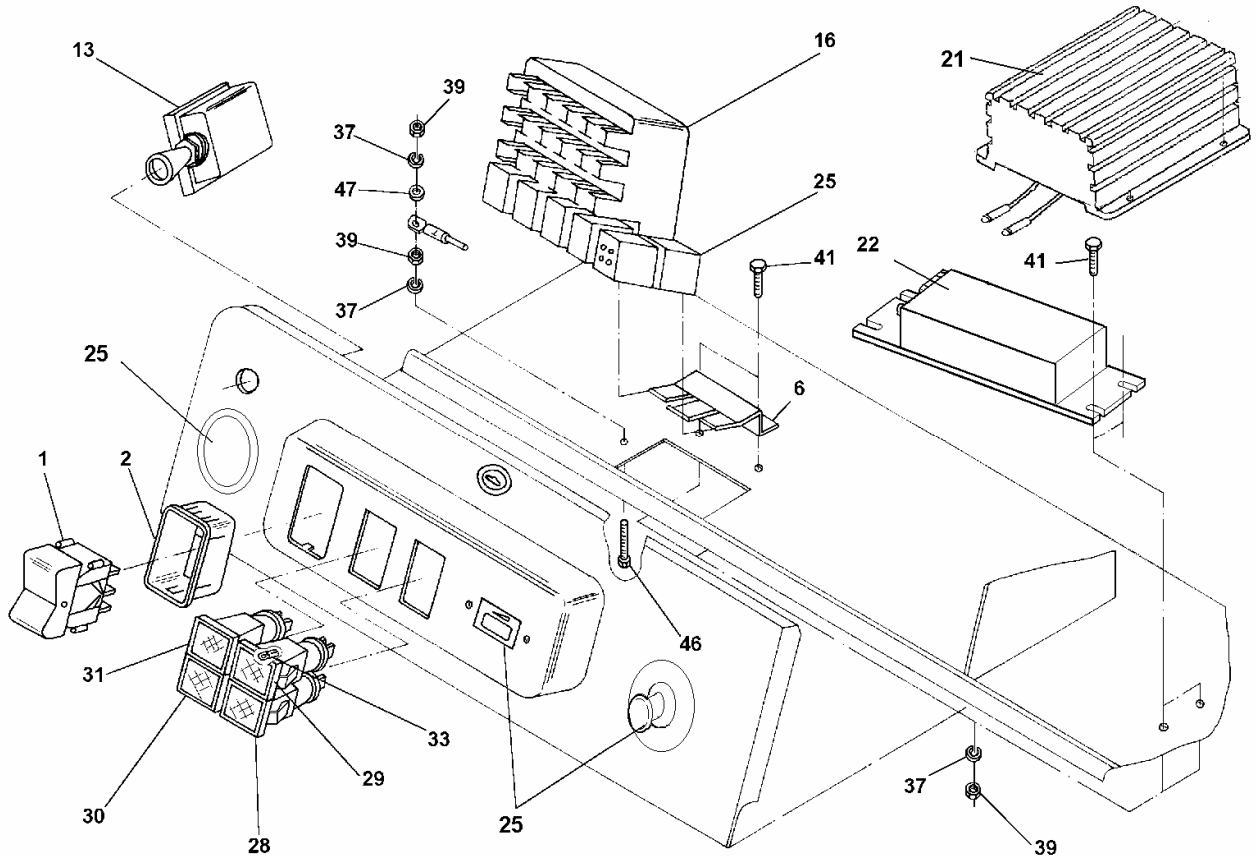
Model: 2xx

44A

From:

To:

ELECTRIC BOARD



NO	PART NO.	DESCRIPTION	REQ	EFFECTIVE from car to car	NO	PART NO.	DESCRIPTION	REQ	EFFECTIVE from car to car
1	300990	LIGHT SWITCH	1		26				
2	300991	SWITCH FRAME	1		27				
3					28	540265	HAND BRAKE INDICATOR /incl. 33 /	1	
4					29	540266	FLASHING INDICATOR /incl. 33 /	1	
5					30	540267	HEAD LIGHT INDICATOR /incl. 33 /	1	
6	500271	BRACKET	1		31	540268	SIDE LIGHT INDICATOR /incl. 33 /	1	
7					32				
8					33	540275	BULB 12V 1,2W	4	
9					34				
10					35				
11					36				
12					37	700103	LOCK WASHER 5,1	6	
13	510281	WARNING LIGHT SWITCH	1		38				
14					39	700242	NUT M5	6	
15					40				
16	510283	LIGHTING INSTALATION ASSY / in side 46A /	1		41	700401	BOLT M5-12	4	
17					42				
18					43				
19					44				
20					45				
21	540488	CONVERTER 3001 28-90V DC /13,5 V DC	1	01-'02 09-'05	46	710220	BOLT M5-25	1	
22	627546	CONVERTER 622/11084 28-60V DC /12V DC	1	09-'05	47	710221	FLAT WASHER 5,3	1	
23					48				
24					49				
25		DRIVE INSTALATION ASSY 36V / in side 33H /	-		50				

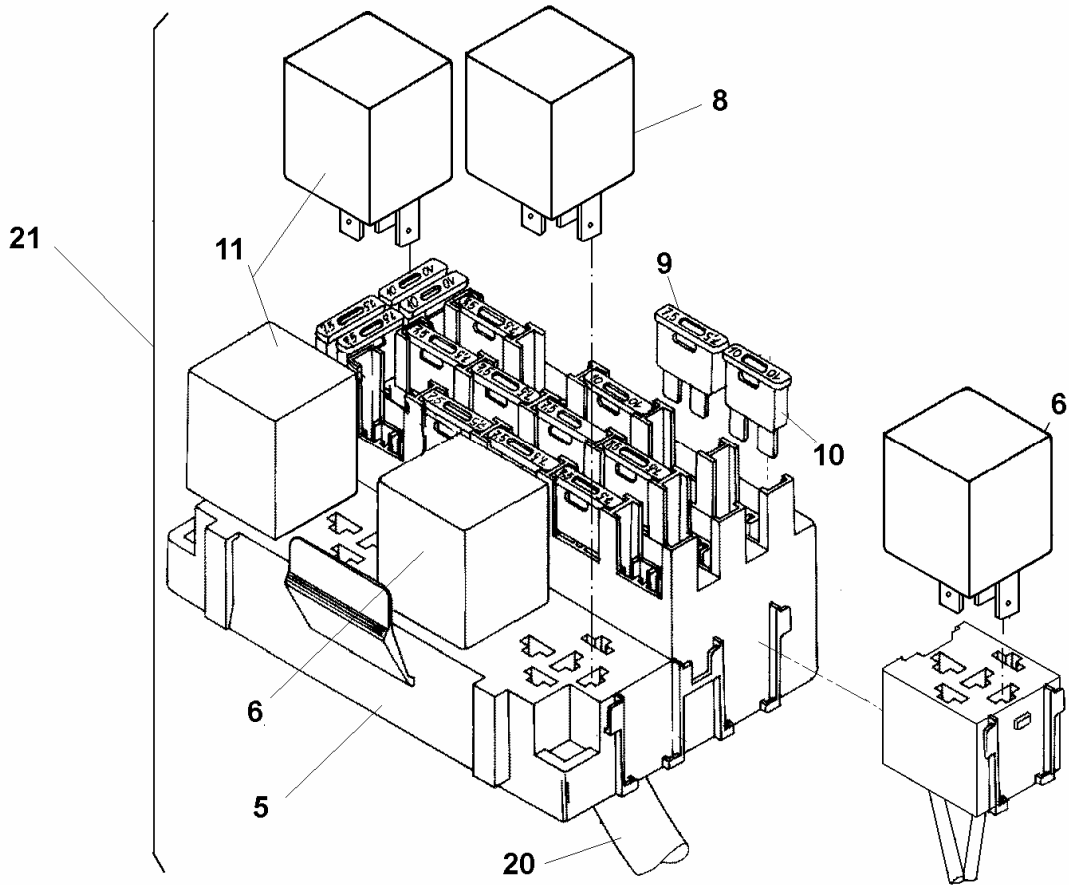
Model:2xx

45A

From:

To:

LIGHTING INSTALATION ASSY



NO	PART NO.	DESCRIPTION	REQ	EFFECTIVE from car to car	NO	PART NO.	DESCRIPTION	REQ	EFFECTIVE from car to car
1					26				
2					27				
3					28				
4					29				
5	510274	FUSE BOX	1		30				
6	510275	RELAY 36-48V DC	2		31				
7					32				
8	510277	TURN LIGHT BLINKER	1		33				
9	510278	FUSE 7,5A	11		34				
10	510279	FUSE 10A	4		35				
11	540118	RELAY	2		36				
12					37				
13					38				
14					39				
15					40				
16					41				
17					42				
18					43				
19					44				
20	250128	CABLE ASSY	1		45				
21	250129	LIGHTS INSTALATION ASSY	1		46				
22					47				
23					48				
24					49				
25					50				

Model:2xx

46A

From:

To: